



manus[®]

Wettbewerb für spannende Kunststoff-Gleitlager-Anwendungen
Competition for exciting plastic plain bearing applications

2015

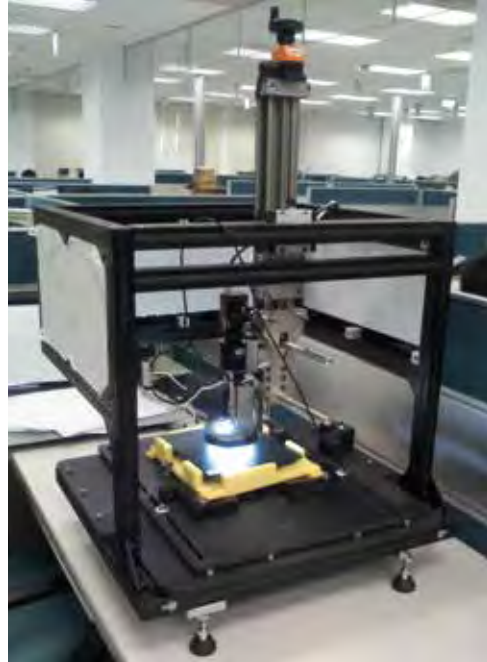
Weitere Einsendungen



**Sapa Extrusion India Pvt. Ltd.,
Selva Kumar, Kuppam, India**
Rolltore
Rolling shutter gates



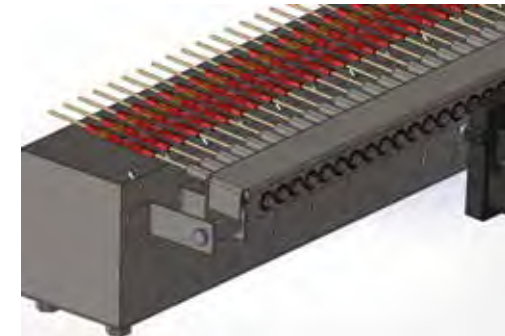
**Wistron NeWeb Corp., Huang Shih Fong,
Hsinchu Science Park, Taiwan**
CCD-Bildererkennungssystem
CCD image detection system



Further applications



**ewe industries srl, Francesco Cavallo,
Pomezia, Italy**
3D-Drucker
3D printer



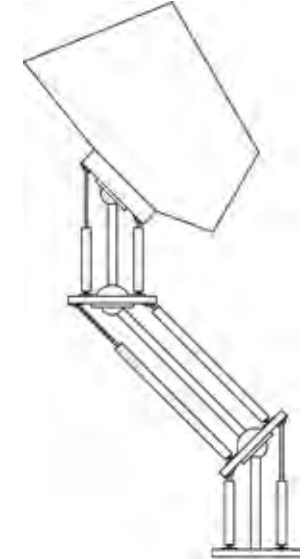
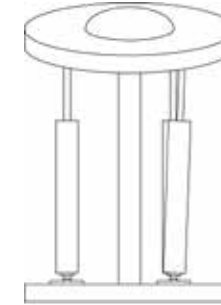
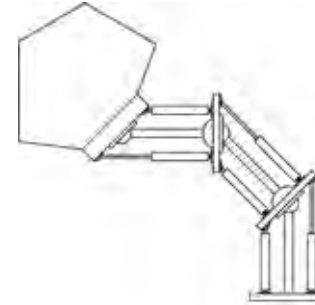
**Lo Studio di Bortolotto Massimo,
Massimo Bortolotto, Santorso, Italy**
Maschine
Maschine

Weitere Einsendungen



IP Prizyazhniy Victor Stepanovich, Vadim Maylunov, Chelyzbinsk, Russia
Baumaschine
Construction machine

Further applications



Biuro Doradczo-Uslugowe Dariusz Romanowski,
Dariusz Romanowski, Piła, Poland
Hydraulik-System
Hydraulic system



CIPI Concept, Romain Blet,
Saint Florent des Bois,
France
Prüfgerät
Testing device

Weitere Einsendungen



Pendelstütze
Hinged support



Axel-Tiede GmbH, Jörg Weingarten,
Hückelhoven, Germany
Schranke
Barrier



Further applications



RIAS-Systemy Informatyzacji Przemysłu,
Mariusz Pomorski, Poznan, Poland
Industriemaschine
Industrial machine



Ožbold Toman, Naklo, Slovenia
3D-Drucker
3D printer



Weitere Einsendungen



**Applied Materials,
Chung cheng Chen,
Tainan City, Taiwan**
Testmaschine
Testing machine

**MEC SHOT Blasting Equipments pvt. ltd, V.P.
Vaishnav, Basni/Jodhpur, Indien**
Industriemaschine
Industrial machine



Further applications



Zorin Sp. z o.o., Krzysztof Szymanski, Gołuski, Poland
Antriebssystem
Drive system

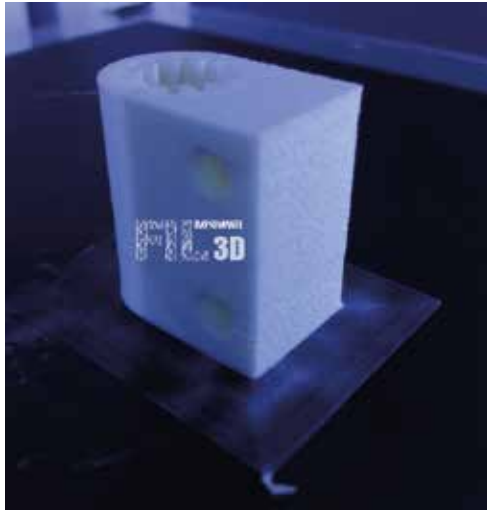


**auer-tec, Henning Auer,
Burk, Germany**
Gartenteichfilter
Garden pond filter



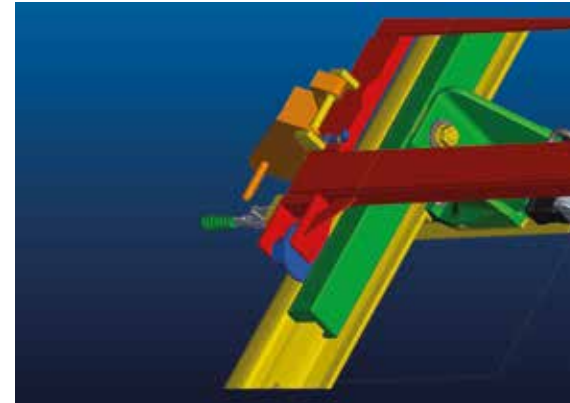
Weitere Einsendungen

Further applications



Rajamane Industries Pvt Ltd,
Sunil Maganahalli, Bangalore, India
Industriemaschine
Industrial machine

Filimprimante3D, Sylvain Judeaux,
La Meziere, France
3D-Drucker
3D printer

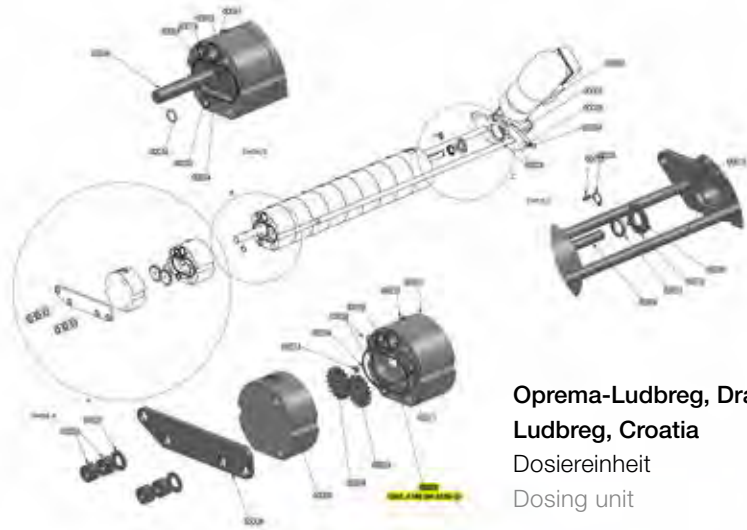


Vossloh Cogifer, Isidro Oliva,
Reichshoffen, France
Werkstattswagen
Garage trolley



SRG Machines Pvt Ltd,
Mihir Garware, Pune, India
Industriemaschine
Industrial machine

Weitere Einsendungen



Oprema-Ludbreg, Drago Gloznic,
Ludbreg, Croatia
Dosiereinheit
Dosing unit

Crosshead Ltd.,
Stuart Lambert, Deal, UK
Klappfahrrad
Folding bicycle



Further applications



G2M/Mouvly, Serge Klipfel, Saumur, France
Rollstuhl
Wheel chair



Guangzhou Yuqing Machinery Manufacture Co., Ltd., Xingwei Luo,
Panyu District, Guangzhou, China
Produktionsmaschine
Production machine

Weitere Einsendungen



**EFD induction ltd.,
Devendra Chandrashakariah,
Bangalore, India**
Industriemaschine
Industrial machine



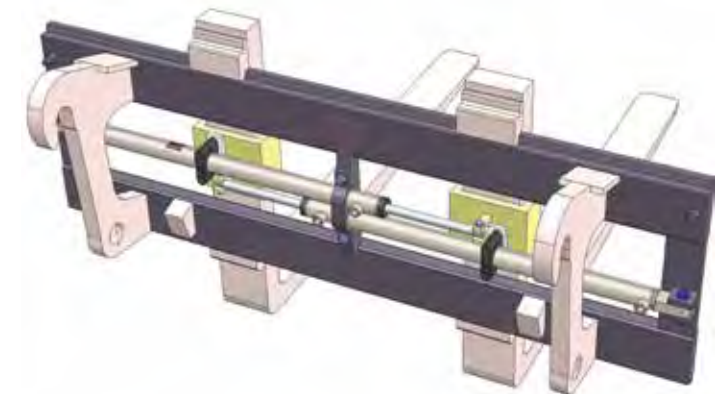
**M Systems, Mirosław Ambrozewicz,
Wrocław, Poland**
3D-Drucker
3D printer

Further applications



**PT. SURYA SMARTEKINDO,
Deddy Sukmayadi, Bekasi, Indonesia**
Produktionsmaschine
Production machine

**L&K Stadtilm GmbH,
Sven Gasterstädt, Stadtilm, Germany**
Gabelträger
Fork carriage



Weitere Einsendungen



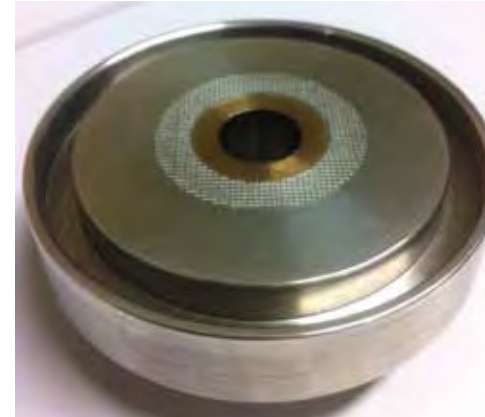
**Microtech di Boin Vittorio,
Vittorio Boin, Biella, Italy**
Produktionsmaschine
Production machine

Rajamane Industries Pvt Ltd, Sunil Maganahalli, Bangalore, India

Industriemaschine
Industrial machine



Further applications



**HUTCHINSON, Anthony Moreau,
Segre, France**
Hochgeschwindigkeitsmaschine
Highspeed machine

auto entrepreneur, Gilles Latoulie, Toulon, France

Antriebsvorrichtung
Drive unit



Weitere Einsendungen

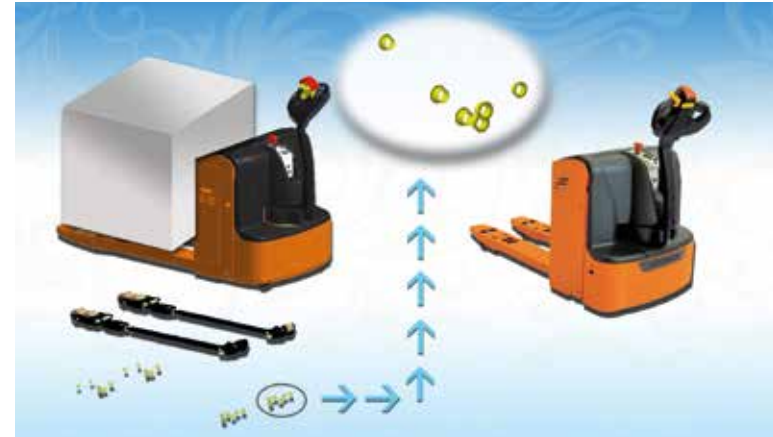


**Other Gravity Sp.zo.o., Patryk Kaupa,
Jozefoslaw, Poland**
Medizinisches Gerät
Medical device

**Compass Marine,
Gabriele Gargiani, Signa, Italy**
Gangway für Hafenanlagen
Gangway for port facilities



Further applications

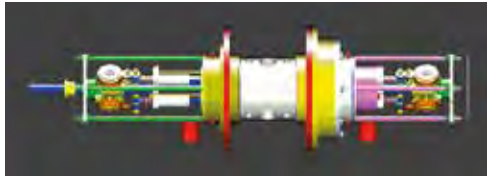


Doosan Forklift (Yantai) Co., Ltd., Tao Wang, Yantai, China
Hubwagen
Forklift

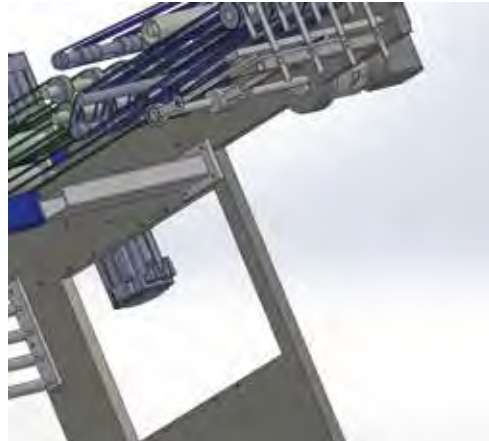
**Angelo Cremona S.p.A., Carlo Viganò,
Monza, Italy**
Produktionsmaschine
Production machine



Weitere Einsendungen



**Elletiemme srl, Enzo Coduri,
Dubino, Italy**
Motor
Motor

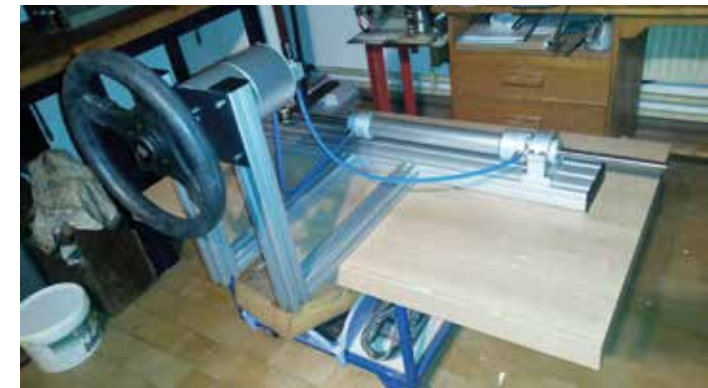


**4M Refai srl, Giuseppe del Turco,
Busalla, Italy**
Papiermaschine
Paper machine

Further applications



Freshair Co., Ltd., Kou Sasaki, Toyama, Shinjyuku-ku, Tokyo, Japan
Boat
Boat



**MAPRO d.o.o.,
Vincenc Faladore,
Brezje, Slovenia**
Lenksystem
Steering system

Weitere Einsendungen



Guangzhou Tech-Long Packaging Machinery Co., Ltd., Kuiwei Song, Guangzhou, China

Blasmaschine
Blow-moulding machine

Shree Systems Pvt Ltd, Harshad Thete, Pune, India

Industriemaschinen
Industrial machines



Further applications



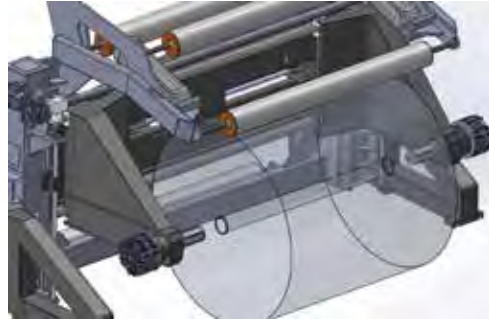
Sudharson Printline, Sundharaman K, Chennai, India
Siebdruckmaschine
Screen printing machine

Flupol Surface Engineering, Rui Manuel Pinho Silva Gomes, Valongo, Portugal

Industriemaschine
Industrial machine



Weitere Einsendungen

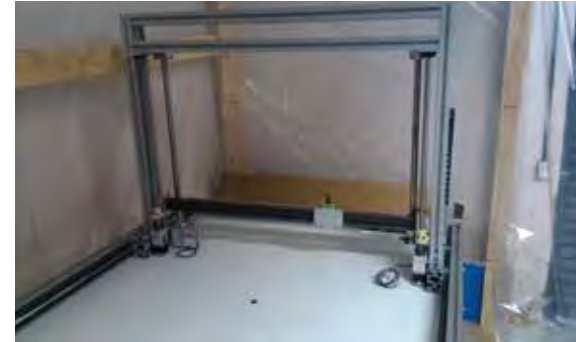


**PROMECH-MC, Paolo Rota,
Zanica, Italy**
Industriemaschine
Industrial machine



Voptica, Bart Jaeken, Murcia, Spain
Medizinisches Gerät
Medical equipment

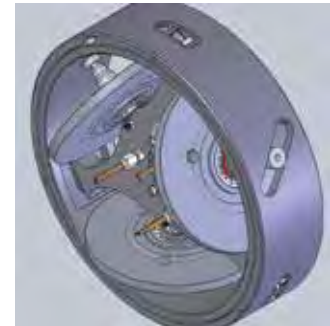
Further applications



**Zegeber S.L.,
Genís Hernández Reverté,
Cabrils, Spain**
3D-Drucker
3D printer



**CVT CORP,
Michel Dumais, Ste-Julie,
Canada**
Getriebe
Gearbox



Weitere Einsendungen



Filip Cerne, Celje, Slovenia
3D-Drucker
3D printer

PFEIFER BORIS PFEIFER S.P.,
Boris Pfeifer, Koper, Slovenia
Teleskophalter
Telescopic bracket



Further applications



IKA india pvt ltd., Murugan K, Bangalore, India
Halterung
Bracket



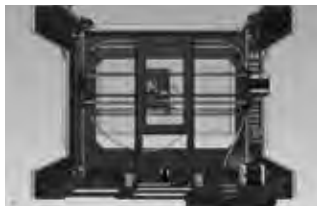
IKA india pvt ltd., Murugan K,
Bangalore, India
Mischmaschine
Mixing machine

Weitere Einsendungen



**Auto Kirchner, Dieter Kirchner,
Römhild, Germany**
Drachen- und Gleitschirmwinde
Kite and paraglider winch

**BQ, Laura Desviat,
Las Rozas de Madrid, Spain**
3D-Drucker
3D printer



Further applications



P.P.U.H. Dariusz Prochera, Dariusz Prochera, Ziebice, Poland
Industriemaschine
Industrial machine



Projetechnica, Mr. Casé, Jundiá, Brazil
Lift
Lift

Weitere Einsendungen

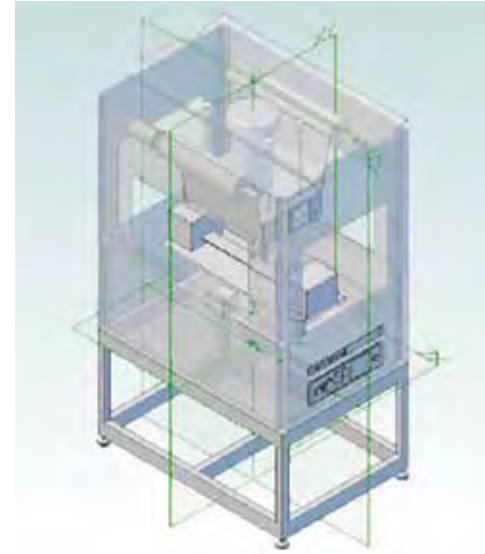


**PT. Dynamic Synergy International,
Tony Tantono, Cengkareng, Indonesia**
Drucksystem
Printing system

CSP-F, Ignazio Assenza, Milano, Italy
Profilometer
Profilometer



Further applications



**LPPT Universitas Gadjah Mada,
Aji M. Iqbal Barata, Yogyakarta,
Indonesia**
Industriemaschine
Industrial machine

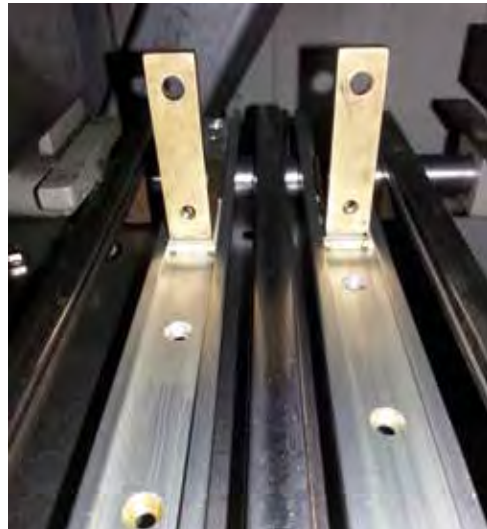


**M/S DUROFLEX PRIVATE LTD,
Sugumar Alagudurai, Hosur, India**
Produktionsmaschine
Production machine

Weitere Einsendungen



**NANOSOFT D.O.O., Jure Ukmar,
Kamnik, Slovenia**
Halterung
Bracket



**EUROSOL D.O.O. JESENICE, Tomaž Arh,
Jesenice, Slovenia**
Industriemaschine
Industrial machine

Further applications

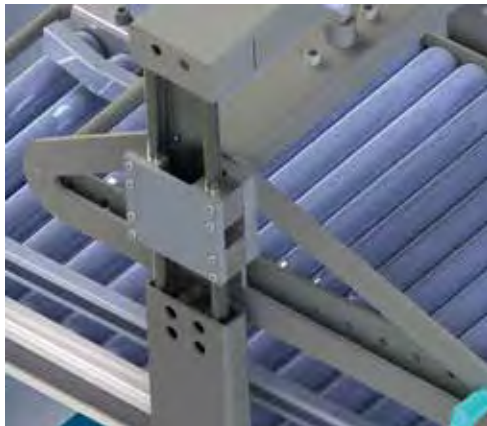
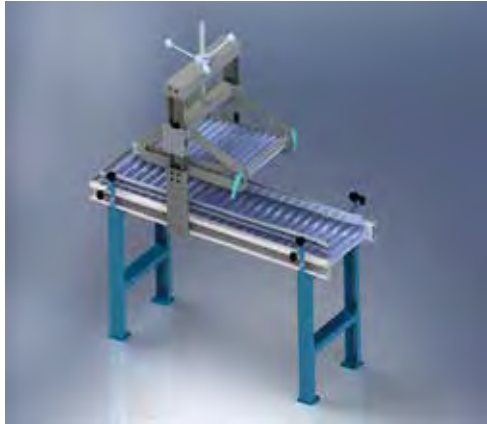


**DINOPOL SP .Z O.O., Maciej Smuda,
Ostrow WLKP, Poland**
Etikettiermaschine
Labelling machine



**V Engineering, Surendra Shelke,
Pune, India**
Verpackungsmaschine
Packing machine

Weitere Einsendungen



**Osoba prywatna, Marcin Wilkowski,
Radom, Poland**
Produktionsmaschine
Production machine



**TAPIAL ENTERPRISES, Subhash Chander
Tapial, Noida, India**
Sicherheitsvorrichtung
Safety device

Further applications



CUIAVIA - OSM w INOWROCŁAWIU, Grzegorz Niemczyk, Inowrocław, Poland
Verpackungsmaschine
Packing machine

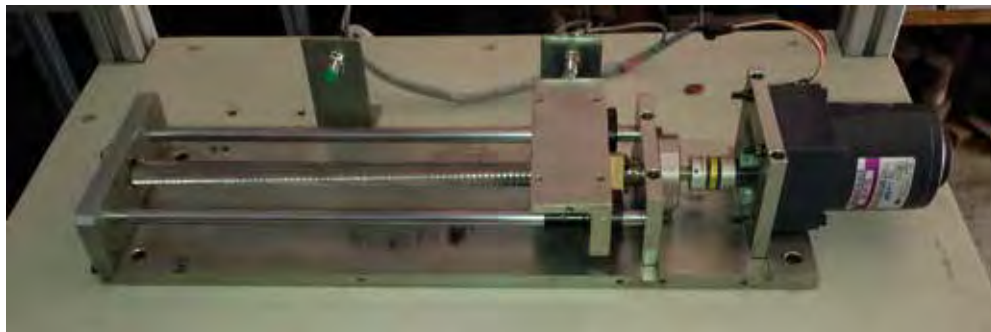


**Kelsons Testing Equipment,
R. Nawale, Kolhapur, India**
Testmaschine
Test machine

Weitere Einsendungen



P.W. POLPAK, Tomasz Sasinowski, Stolno, Poland
Industriemaschine
Industrial machine



KSR Technologies, Raghavendra K.S., Bangalore, India
Halteung
Fixture

Further applications



Lewis Equipment, Simon Vizor, Bideford on Avon, UK
Zylinder
Cylinder



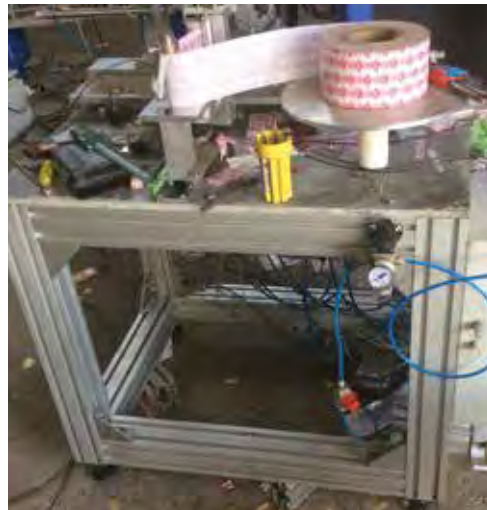
Galaxy Pack Tech Pvt Ltd, Shiv Kumar, Greater Noida, India
Produktionsmaschinen
Production machines



Weitere Einsendungen



**„METALOWIEC“ Sp. z .o.o Namysłów,
Andrzej Dziuba, Namysłów, Poland**
Transportwagen
Transport vehicle

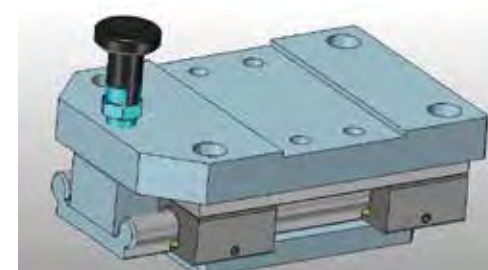


7 Degreez, Vijay Pancholi, Vadodara, India
Verpackungsmaschine
Packing machine

Further applications



kellersign, Didier Keller, Kilstett, France
Werkzeugwagen
Tool vehicle

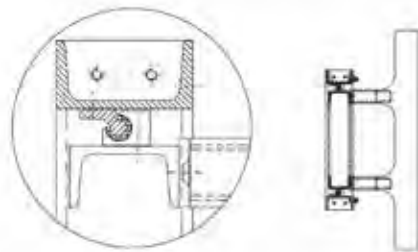
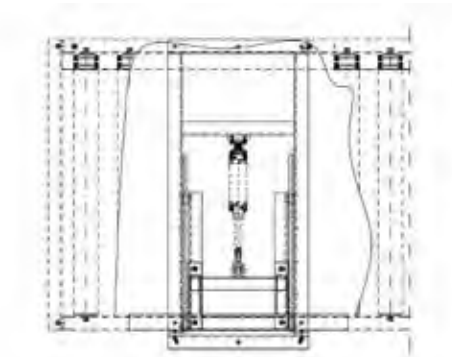


**Osoba prywatna, Adrian Górski, Łowicz,
Poland**
Greifvorrichtung
Gripping device

Weitere Einsendungen

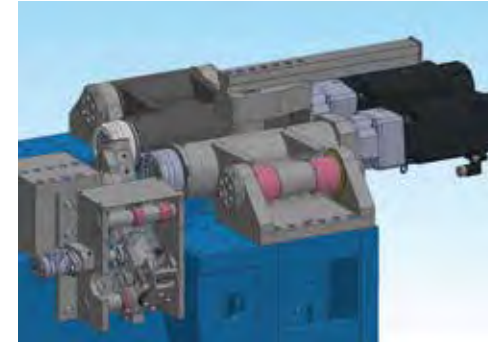


**TKM Projekt, Mateusz Szewc, Mirków,
Poland**
Industriemaschine
Industrial machine

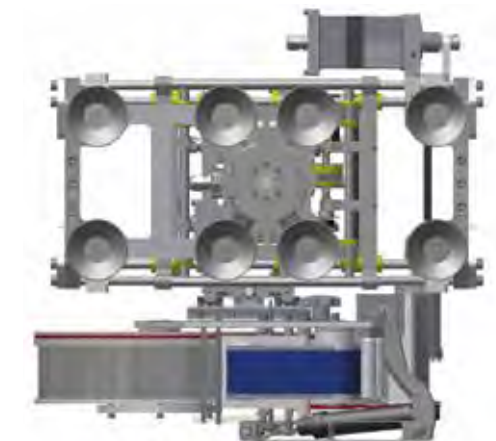


**Osoba prywatna, Adrian Górski, Łowicz,
Poland**
Industriemaschine
Industrial machine

Further applications



**Fabryka Obrabiarek RAFAMET S.A.,
Stanislaw Buczko, Kuznia Raciborska,
Poland**
Unterflurdrehbank
Underfloor lathe



**Automation Machine Design RC inc.,
Mathieu Lamontagne, St-Hubert,
Canada**
Roboter
Robot

Weitere Einsendungen



Tewes Bis sp. z o.o., Krzysztof Kisiel, Barczewo, Poland

Wanne für die Käseproduktion

Tub for the cheese production



AZUB bike s.r.o., Tomáš Gayer, Uherský Brod 1, Czech Republic

Dreirad

Tricycle

Further applications



JayaShree Textiles, Sanjay Das, Hooghly, India

Förderer
Conveyor



**Dr.Wiesner
Test & Automation,
Rajendiran Paramasivan,
Bangalore, India
Produktionsmaschine
Production machine**

Weitere Einsendungen

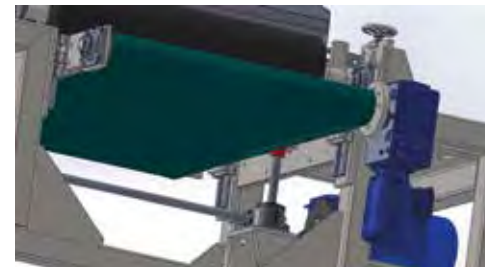
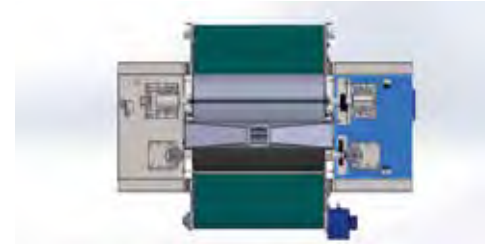


CPC MEDICAL SYSTEM,
Sathyakumaravel Subramaniam,
Chennai, India
Medizinisches Gerät
Medical equipment



DeCoSystem srl, Paolo Landi,
Calenzano, Italy
Prüfsystem
Test system

Further applications

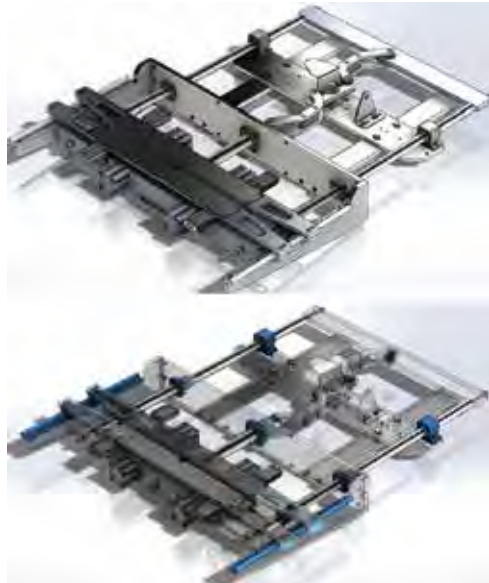


MADORA Dorota Soltysiak,
Mateusz Soltysiak, Kotlin, Poland
Produktionsmaschine
Production machine

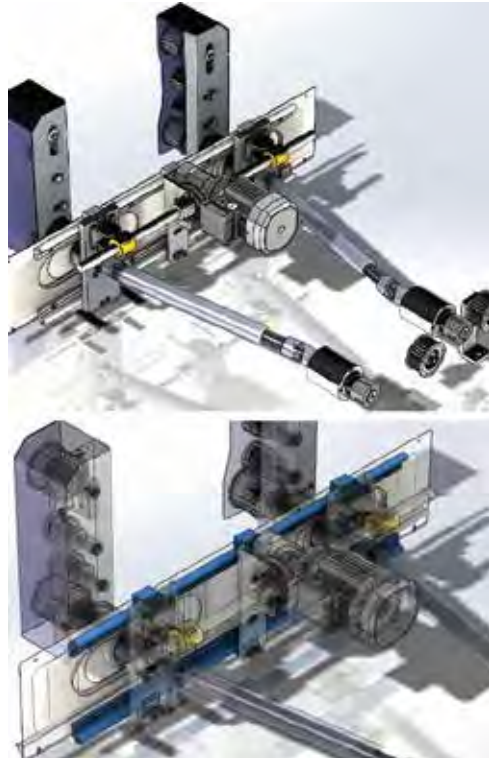


NordGlass Sp. z o.o.,
Sławomir Falkowski, Koszalin, Poland
Positionierer
Positioning device

Weitere Einsendungen



RM Group, Luke Richards, Newtown, UK
Abfüllmaschine
Filling machine



CHENNAI METCO, M. Gopalakrishnan, Chennai, India
Highspeed-Säge
High-speed saw



Further applications



INTREX, Jakub Dymek, Sady, Poland
Etikettiermaschine
Labelling machine

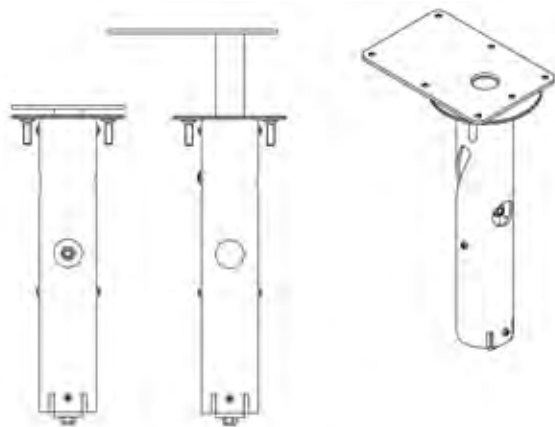


INTREX, Jakub Dymek, Sady, Poland
Produktionsmaschine
Production machine

Weitere Einsendungen



ARET Sp. z o.o. Spółka komandytowa,
Piotr Skowalczynski, Tulce, Poland
Produktionsmaschine
Production machine



STALMOT & WOLMET, Marcin Wozniak, Wolsztyn,
Poland
Drehtisch
Rotary table

Further applications



Pors & Rao Studio Private Limited,
Ashok Srinivas Reddy, Bangalore,
India
Kunstinstallationen
Art installations

POWER-TECH, Janusz Marcin Ejma, Walcz, Poland
Laserbasierte Schneidemaschine
Laser-based cutting machine



Weitere Einsendungen

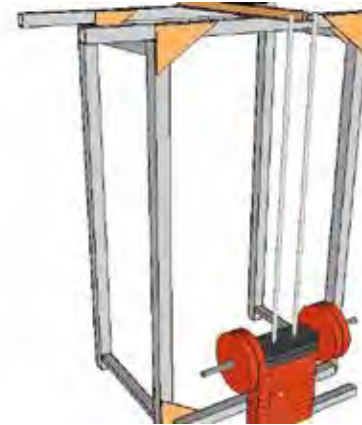


**NIBE AB/Contura, Niclas Lundqvist,
Markaryd, Sweden**
Kamin
Chimney



Steffen Fricke, Jena, Germany
Pneumatik-Einheit
Pneumatic unit

Further applications



Uroš Tominec, Logatec, Slovenia
Fitnessgerät
Workout device

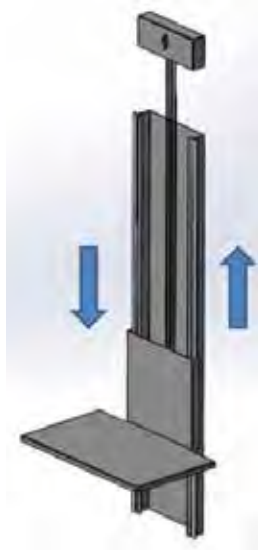


**Glazevski Robotics,
Wojciech Głazewski,
Białystok, Poland**
Getriebe
Gearbox

Weitere Einsendungen

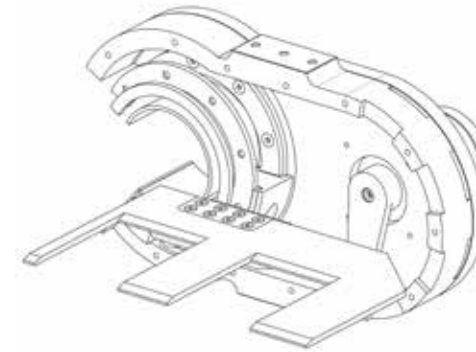


Genesys, Mahesh G, Palakkad, India
Medizinisches Analysegerät
Medical analysis device



**Ramos Elevación S.L.,
Miguel Ángel González Alonso, Málaga,
Spain**
Hebeplattform
Lifting platform

Further applications



Antonio Moscato, Fléron, Belgium
Umlegebügel
Folding clamp



**Brand Touch, Vellyslav Petrov, Sofia,
Bulgaria**
Halterung
Bracket

Weitere Einsendungen



**HS DESENVOLVIMENTO, Ilson José Hulle,
Serra Es, Brazil**
Arbeitsbühne
Working platform

**PT. Inera Sena (BiCycle - Polygon),
Dwi B. Hariyantomy, Sidoarjo, Indonesia**
Fahrradrahmen
Bicycle frame



Further applications

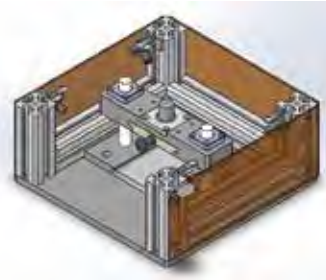


**Inkonova AB, Pau Mallol,
Bandhagen, Sweden**
Quadrocopter
Quadrocopter



**PT. Unison, Taufiqur Rahman,
Surabaya, Indonesia**
Produktionsmaschine
Production machine

Weitere Einsendungen



iMed-Tech, Kamil El Fray,
Dobra, Poland
Pneumatische Presse
Pneumatic press



Fablab Karlsruhe e.V., Gerd Keller,
Karlsruhe, Germany
3D-Drucker
3D printer

Further applications



INGENIERIA HERMA S.A. de C.V.,
Jorge Luis Hernández Mañón, Lerdo, Dgo.,
Mexico
Scheibenbremse
Disc brake

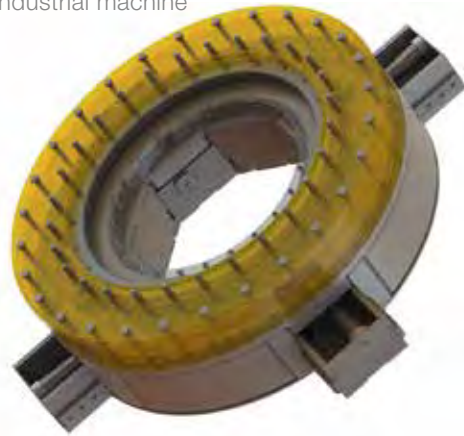
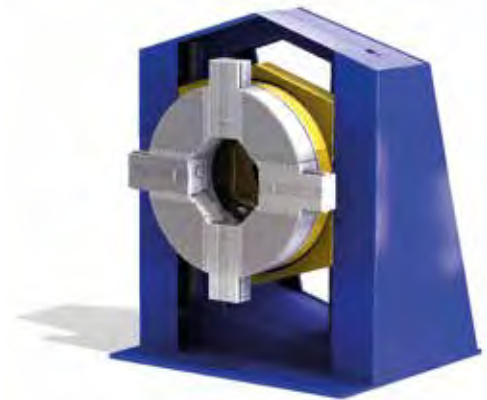


PT. Bukit Bintang Sawit, Mr. Suanto, Jambi,
Indonesia
Behälter für Palmölproduktion
Container for palm oil production

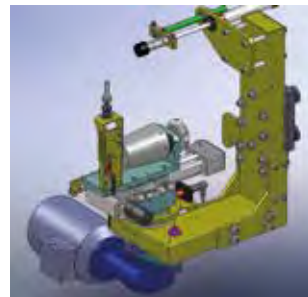
Weitere Einsendungen



MicroStep spol. s r.o., Juraj Figura, Hrinova, Slovakia
Industriemaschine
Industrial machine



SAT SpA Multimetal, Lorenzo Caccia, Verona, Italy
Industriemaschine
Industrial machine



Further applications



SOCEM ED - Fabricação, Engenharia e Desenvolvimento de Moldes, SA, Maria Costa, Martingança, Portugal
Einspritzmaschine
Injection machine



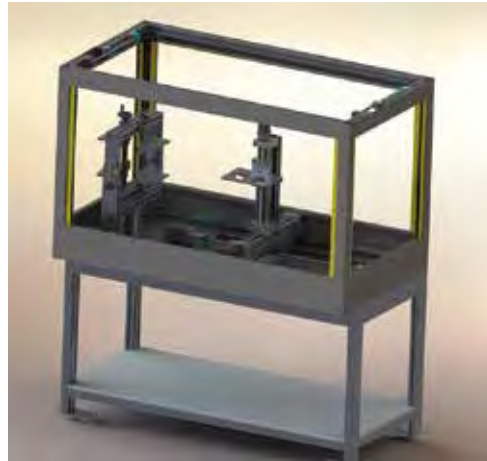
CIM Technologies, Anil Roy Vaikuntapu, Hyderabad, India
Produktionsmaschine
Production machine

Weitere Einsendungen

Further applications



Sandor Fodor, Jasztelek, Hungary
3D-Drucker
3D printer



**NERA sas MECCANICA DI PRECISIONE,
Matteo Nera, Robecco sul Naviglio, Italy**
Messsystem
Measuring system

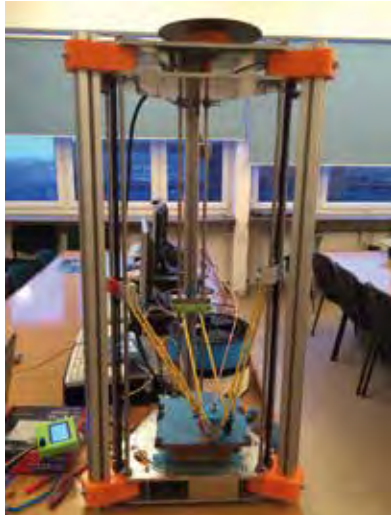


**Centro de Automática y Robótica
Consejo Superior de Investigaciones
Científicas, Rafael Raya, Madrid, Spain**
Fahrzeug
Vehicle

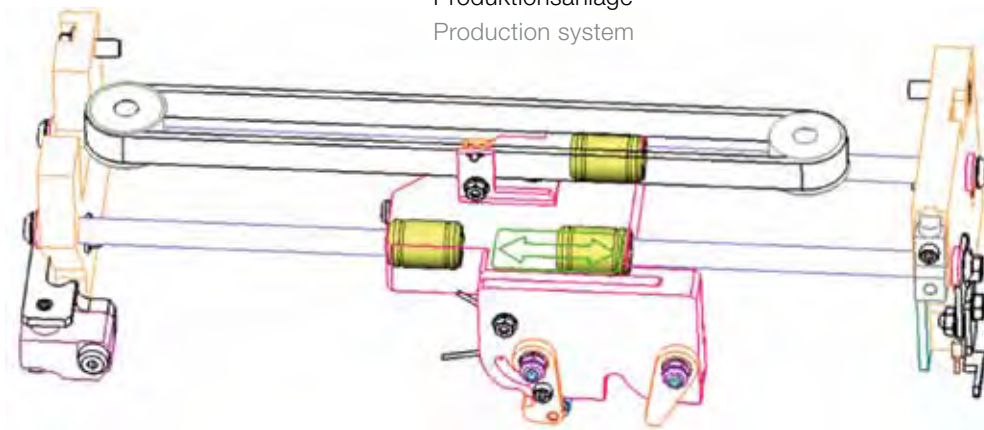


**TERMA Sp. z o.o., Mateusz Pawelec,
Gdansk, Poland**
Medizinisches Gerät
Medical device

Weitere Einsendungen

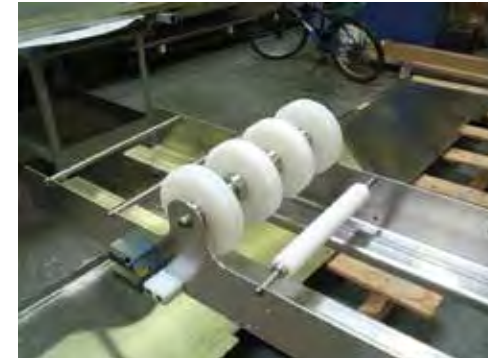


**Politechnika Lubelska,
Krystian Łygas, Sitno, Poland**
3D-Drucker
3D printer



Entrust Datacard, John Halonen, Shakopee, USA
Produktionsanlage
Production system

Further applications

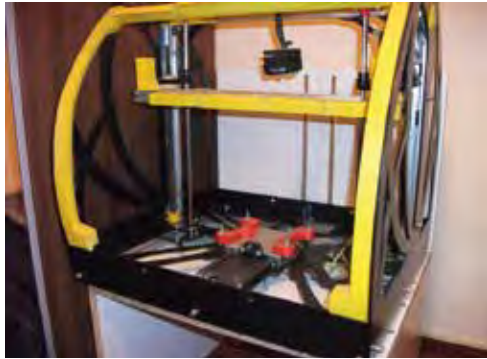


**Powerbelt Conveyor Systems Inc, Suresei Sivagnanam,
Woodbridge, Canada**
Förderband
Conveyor belt



**SRC, Roberto Cicuéndez Peñalver,
Pedro Muñoz, Spain**
Abfüllanlage
Filling system

Weitere Einsendungen

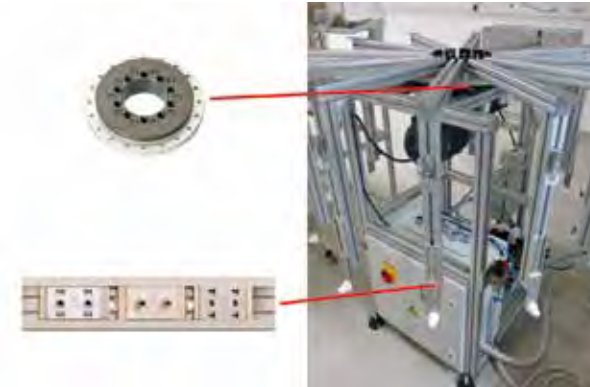


3xD Centrum druku 3D i CNC.,
Michał Marciniak, Niechanowo, Poland
3D-Drucker
3D printer



Organic Transit, Thomas Glass, Durham, USA
Solarfahrrad
Solar bicycle

Further applications



ZASEBNI RAZISKOVALEC
BRANKO MOLICNIK,
Branko Molicnik, Nazarje,
Slovenia
Montagegerät
Mounting device

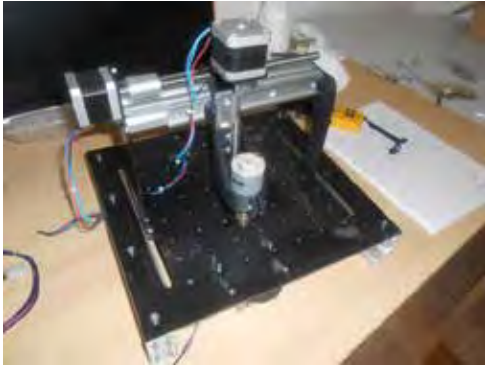


TOMSTROJ D.O.O.,
Leon Tomšič,
Notranje Gorice, Slovenia
Industriemaschine
Industrial machine



Weitere Einsendungen

Further applications



Crt Abrahamsberg, Ribnica, Slovenia
Gravurmaschine
Engraving machine

Teilnehmer

1aim GmbH, Marcel Mazurek, Berlin, Germany	297
3xD Centrum druku 3D i CNC., Michał Marciniak, Niechanowo, Poland	362
40South Energy, Elisa Bertinelli, Pisa, Italy	72
4M Refai srl, Giuseppe del Turco, Busalla, Italy	318
7 Degreez, Vijay Pancholi, Vadodara, India	336
ABB (China) Co., Ltd., Cheng Tong, Beijing, China	153
Adco Print Pack India, Naresh Yadav, Faridabad, India	
ADH DEVELOPMENT, Vicente Crespo, Cullera, Spain	209
Advanced Handling, Justin Housden, Peterborough, UK	165
Aerosud ITC, Marius Vermeulen, Pierre van Ryneveld, South Africa	22
Afikor SA, Dominique Cornu, Chanéaz, Switzerland	46
AGM DESIGN.IT SRL, Danilo Mattellini, Terno d'Isola, Italy	250
Agument Co. Ltd., Sadao Sakugi, Mase, Tsukuba, Ibaraki, Japan	174
Airex Co. Ltd., Hideo Nishiwaki, 3 Chome, Asayama, Toukai, Aichi, Japan	53
AIRSLIDE Ltd., Jerzy Wozniak, Ipswich Suffolk, UK	49
Ajith Industries, C.N. Jayachandran, Bangalore, India	217
AKENA véranda, Vincent Chevrel, Dompierre sur Yon, France	246
Alfotec, Daniel Setz, Hartershausen, Germany	115
ALS, Steve Lewis, Gloucestershire, UK	28
Alternative Energy Innovations, José Antonio Molina, Bellaterra, Spain	202
Alternative Media Solutions Inc. / Planning and Development, Harunobu Toda, Sotoshincho, Nakagawa-ku, Nagoya, Aichi, Japan	48
Ambulanz Mobile GmbH & Co. KG, Stephan Hischke, Schönebeck, Germany	161
AMG Technik, Marek Grabowski, Bytów, Poland	230
Angelo Cremona S.p.A., Carlo Viganò, Monza, Italy	317
Antonio Moscato, Fléron, Belgium	351
ANTONIO ZAMPERLA spa, Maurizio Ferrarese, Altavilla Vicentina, Italy	189
APICOM AUTOMATION PVT LTD., S.P. Sudharshna, Bangalore, India	228
Applied Materials, Chung cheng Chen, Tainan City, Taiwan	306
ARET Sp. z o.o. Spółka komandytowa, Piotr Skowalczyński, Tulce, Poland	346
Argus Sensors System GmbH, Hagen Schindler, Kahla, Germany	143

Participants



ASH GmbH & Co. KG, Michael Horstmann, Georgsmarienhütte, Germany	130
ASK Info-Solutions, Sandip Khopkar, Navi Mumbai, India	
ASTHEO Cleaning, Philippe Berland, Corné, France	168
ATS ELGI, V. Mahesh Kumar, Coimbatore, India	24
auer-tec, Henning Auer, Burk, Germany	307
auto entrepreneur, Gilles Latoulie, Toulon, France	315
Auto Kirchner, Dieter Kirchner, Römhild, Germany	326
Automation GmbH, Walter Patscheider, Notzingen, Germany	89
Automation Machine Design RC, Mathieu Lamontagne, St-Hubert, Canada	339
Automet Sp. z o.o. Sp.K., Bogdan Pietryka, Sanok, Poland	
AVEND TECHNOLOGIES, Chandra Goud Chanappagari, Bangalore, India	221
avm technologies, Vijay Shah, Kothrud, India	
Axel-Tiede GmbH, Jörg Weingarten, Hückelhoven, Germany	54, 57, 304
Axiom Consulting Pvt Ltd, Gowthaman V., Bangalore, India	
AXIS, Mieczysław Szulfer, Gdansk, Poland	215
AZUB bike s.r.o., Tomáš Gayer, Uherský Brod 1, Czech Republic	340
Baudienstleistungsservice, Andreas Vödisch, Döbra, Germany	
Bauer Steuerungstechnik, Joachim Brenner, Bretten, Germany	111
Belovia, Romain Truong, Autun, France	78
Bercella SRL, Riccardo Bertini, Varano De' Melegari, Italy	81
Berg Design Ltd., Andrew Sherrif, Stirling, UK	144
Berner Fachhochschule, Simon Zumbrennen, Burgdorf, Switzerland	36
Biuro Doradczo-Uslugowe, Dariusz Romanowski, Piła, Poland	303
BMZ Poland Sp. z o.o., Robert Jarosz, Gliwice, Poland	262
BQ, Laura Desviat, Las Rozas de Madrid, Spain	326
Brand Touch, Vellyslav Petrov, Sofia, Bulgaria	351
Brändle GmbH Oberflächentechnik, Karl-Heinz Brändle, Waldburg, Germany	129
BRECA Health Care, João Leite, Granada, Spain	
Brite Automation, Jaiganesh Lakshmanan, Mumbai, India	
Budapest University of Technology and Economics, Tamas Elo, Budapest, Hungary	263
BUTCHERS & BICYCLES Copenhagen, Morten Mogensen, København V, Denmark	142

Teilnehmer

CAMELGROUP, Loris Serafin, Mansuè, Italy	114
Capsugel, Alexander Ciccaroni, Bornem, Belgium	
Center for Robotics, Firman Ikhsan, Tangerang, Indonesia	279
Centro de Automática y Robótica Consejo Superior de Investigaciones Científicas, Rafael Raya, Madrid, Spain	359
CHENNAI METCO, M. Gopalakrishnan, Chennai, India	344
Chubu Corporation/Equipment Development Office, Kota Ishikawa, Aza-Dougamine, Ooaza-Yoshigasaki, Kuwana, Mie, Japan	
CIM Technologies, Anil Roy Vaikuntapu, Hyderabad, India	357
CIPi Concept, Romain Blet, Saint Florent des Bois, France	303
CKB Boards, Paul Hartland, Oldham, UK	41
Cleantech Systems Private Limited, Vishal Mandekar, Pune, India	109
CNG System Jacek Rudkowski, Jacek Rudkowski, Cracow, Poland	92
Compass Marine, Gabriele Gargiani, Signa, Italy	316
Cong Ty Co Dien Minh Son, Thanh Minh Mai, Ho Chi Minh City, Vietnam	117
Connected Cycle, Jean-Marie Debbasch, Paris, France	66
CPC MEDICAL SYSTEM, Sathyakumaravel Subramaniam, Chennai, India	342
Crawley Creatures Ltd, Jez Harris, Buckingham, UK	88
CRESTO AB, Bo Sander, Halmstad, Sweden	268
Crosshead Ltd., Stuart Lambert, Deal, UK	310
Crt Abrahamsberg, Ribnica, Slovenia	364
CSP-F, Ignazio Assenza, Milano, Italy	328
CUIAVIA - OSM w INOWROCŁAWIU, Grzegorz Niemczyk, Inowrocław, Poland	333
CVT CORP, Michel Dumais, Ste-Julie, Canada	323
DAFO Plastics Sp. z o.o., Lukasz Daniel, Nowy Targ, Poland	199
Dawson Downie Lamont Ltd, Brian Menagh, Fife, UK	245
DCM Maschinenbau Lüneburg, Karsten Rieckmann, Lüneburg, Germany	110
DeCoSystem srl, Paolo Landi, Calenzano, Italy	342
Deezmaker, Diego Porqueras, Pasadena, USA	
DFKI-Bremen, Robotics Innovation Center, Niklas Mulsow Bremen, Germany	
Die Bock Manufaktur, Tanja Albrecht, Hallbergmoos, Germany	154

Participants



DINOPOL SP. Z O.O., Maciej Smuda, Ostrow WLKP, Poland	331
DISEÑADORA Y COMERCIALIZADORA, Sergio Martinez, Zapopan, Jalisco., Mexico	131
Doosan Forklift (Yantai) Co., Ltd., Tao Wang, Yantai, China	317
DORMA-Glas, Mark-Oliver Mayer, Bad Salzuflen, Germany	
Dr. Wiesner Test & Automation, Rajendiran Paramasivan, Bangalore, India	341
DREAMCONCEPT, Laurent Brunault, Tournan en Brie, France	163
Dynamic Automations, Surendra Sutar, Kolhapur, India	133
edu3DP, Sugi Ko, Jakarta, Indonesia	290
EFD induction ltd., Devendra Chandrashakariah, Bangalore, India	312
Elgi Ultra Industries Limited, C. Sundaramoorthy, Coimbatore, India	289
Elgo Electronic, Hans Messner, Rielasingen, Germany	126
Elletiemme srl, Enzo Coduri, Dubino, Italy	318
Entrust Datacard, John Halonen, Shakopee, USA	360
Esprit Automation, Danien Shearer, Nottingham, UK	164
Esqui Club Meganeu, Pedro Pomar, Alp (la Molina), Spain	181
EUROSOL D.O.O. JESENICE, Tomaž Arh, Jesenice, Slovenia	330
EveryCook, Alexis Wiasmitinow, Winterthur, Switzerland	45
ewe industries srl, Francesco Cavallo, Pomezia, Italy	301
EXER di Evangelista Gustavo, Gustavo Evangelista, Torino, Italy	97
F4 Biomechanics, S.L., Jon Ander Ortuondo, Igorre, Spain	196
Fab Lab Berlin, Pierre Braun, Berlin, Germany	272
Fablab Karlsruhe e.V., Gerd Keller, Karlsruhe, Germany	354
Fabryka Obrabiarek RAFAMET S.A., Stanislaw Buczko, Kuznia Raciborska, Poland	339
Fahrtensegler, Ralf Gutermuth, Düsseldorf, Germany	
FESTO, Manuel Lara, Hoapitalet de Llobregat, Spain	119
FH OÖ Forschungs & Entwicklung GmbH, Raimund Edlinger, Wels, Austria	122
Filimprimante3D, Sylvain Judeaux, La Meziere, France	308
Filip Cerne, Celje, Slovenia	324
Flowmech Engineers Pvt Ltd, Tarun Mogha, New Delhi, India	214
FLUID POWER CONTROLS, Subramanyam Palani, Tamail Nadu, India	
Flupol Surface Engineering, Rui Manuel Pinho Silva Gomes, Valongo, Portugal	321

Teilnehmer

Förderkreis Leben braucht Wasser e.V., Thomas Heilig, Seckach, Germany	293
Formula Student Bizkaia, Carlos Azcoitia, Bilbao, Spain	206
fox pakaging services, Defu Luo, Toronto, Canada	
Freshair Co., Ltd., Kou Sasaki, Toyama, Shinjyuku-ku, Tokyo, Japan	319
FUTURA Yachtsystems GmbH & Co KG, Gerhard Euchenhofer, Wannweil, Germany	140
FUTUSOL d.o.o., Tilen Kovacic, Naklo, Slovenia	195
G-M & M D.O.O., Tomaž Leskovšek, Grosuplje, Slovenia	187
G2M/Mouvly, Serge Klipfel, Saumur, France	311
Galaxy Pack Tech Pvt Ltd, Shiv Kumar, Greater Noida, India	335
Gary Thompson, Auburn, USA	173
GB-Systeme GmbH (Bau- u. Entwicklungsgesellschaft Müller UG), Karl-Heinz Müller, Mönchengladbach, Germany	106
Genesys, Mahesh G, Palakkad, India	350
Geotest d.o.o., Toma Morovic, Zagreb, Croatia	63
Giai srl, Stefano Giai, Macello, Italy	188
Gibellinis Folding Cameras, Alessandro Gibellini, Sassuolo, Italy	56
Gillard, Phil Withers, Ashchurch, UK	
GIPRIME GHR Giprime Hyper Racing, Stefano Brutti, Goito, Italy	58
GKinetic Energy Ltd., Vincent Mc Cormack, Newcastle West, Ireland	27
Glazevski Robotics, Wojciech Glazewski, Białystok, Poland	349
GLOBAQ srl und New 3D Printing Life srl, Roberto Moretti, Poggio Catino, Italy	64
Globimix, Szymon Barylak, Zabkowice Slaskie, Poland	231
Gloria Fahrzeugbau Bierewirtz GmbH & Co KG, Felix Bierewirtz, Grevenbroich, Germany	269
gnothis, Riccardo Carrozzino, Genova, Italy	61
Godrej & Boyce mfg. co. ltd., Swapnil Malgundkar, Mumbai, India	212
Gostol - Gopan d.o.o. Nova Gorica, Damijan Zavrtnik, Nova Gorica, Slovenia	141
Guangzhou Tech-Long Packaging Machinery Co., Ltd., Kuiwei Song, Guangzhou, China	320
Guangzhou Yuqing Machinery Maufacture Co., Ltd., Xingwei Luo, Panyu District, Guangzhou, China	311
Guillouard a Nantes, Thomas Fernagu, Nantes, France	148
H-B Designs, Natalie Brown, Devizes, UK	180

Participants



Habia Cable, Jacek Nastalczyk, Doluje, Poland	
Haian Jiaorui Robot Technology Co., Ltd., Zhanghui Lei, Nantong, China	
Hanoi University of Science and Technology, Phuc Dam, Hanoi, Vietnam	
Herma, Steve Reader, Haverhill, UK	33
Hochschule Aalen, Tim Funk, Mögglingen, Germany	43
Hochschule-Rhein-Waal Fakultät Technologie und Bionik, Michael Mualem Sultan, Kleve, Germany	70
Höhere Technische Bundes-Lehranstalt Graz-Gösting (HTL), Philip Klampfl, Graz, Austria	166
Horst Kind GmbH, Thorsten Bähre, Wuppertal, Germany	86, 138
Hospital for Sick Children, Karl Price, Toronto, Canada	286
HS DESENVOLVIMENTO, Ilson José Hulle, Serra Es, Brazil	352
Huai'an Zhonglu Garden Machinery Co.,Ltd., Jun Li, Huai'an, China	
Hublex, Alexis Williams, Cachan, France	146
HUTCHINSON, Anthony Moreau, Segre, France	315
Hylpres Technik Engg. Co. Pvt. Ltd, Mihir Apte, Mumbai, Indien	99
ICE, Roman Zmigrodzki, Rzeszow, Poland	
Ideematec Deutschland GmbH, Sebastian Bauer, Wallerfing, Germany	273
IKA india pvt ltd., Murugan K, Bangalore, India	325
iMed-Tech, Kamil El Fray, Dobra, Poland	354
Industrias Ideal S.A de C.V, Antonio González, México, Mexico	150
Ing.-Büro ANDERSECK, Dietmar Anderseck, Reutlingen, Germany	271
Ing.-Büro P. Wolf, Weingarten, Germany	93
Ingelma Electronics srl, Mauro Morelli, San Giovanni Valdarno, Italy	249
INGENIERIA HERMA S.A. de C.V., Jorge Luis Hernández Mañón, Lerdo, Dgo., Mexico	355
Inkonova AB, Pau Mallol, Bandhagen, Sweden	282, 353
Innovative Technology, George Pilch, Oldham, UK	59, 60
Institut für Flugzeug-Produktionstechnik, TU-Hamburg-Harburg, Christian Schlosser, Hamburg, Germany	175
Interflex Pvt Ltd, Harish Sharma, Faridabad, India	213
INTREX, Jakub Dymek, Sady, Poland	345
Introsys, Pedro Deusdado, Moita, Portugal	51

Teilnehmer

IO, Catherine Janot, Paris, France	191
IP Prizyazhniy Victor Stepanovich, Vadim Maylunov, Chelyzbinsk, Russia	302
Ishida, Cliff Wittingham, Birmingham, UK	29
Jacquart & Fils, Laurent Scribe, Tourcoing, France	38
Jakobs GmbH, Ludolf Jakobs, Noervenich, Germany	127
JayaShree Textiles, Sanjay Das, Hooghly, India	341
Jaycee Equipments Pvt Ltd, John D'Souza, Pune, India	201
jefotec, Oliver Jenner, Frankfurt am Main, Germany	120
Jindal Steel and Power Ltd, Sanjay Bhansali, Patrapali, India	
Jingwei Textile Machinery Co., LTD., Yuci Branch Technology Center, Zhiyong La, Jinzhong, China	
JOAQUIN MONTERO arquitectura, Joaquin Montero, San Sebastian, Spain	255
Jochen Müller, Berlin, Germany	239
Johnson Controls Polska sp zoo, Radosław Chirun, Swiebodzin, Poland	34
José Salatino, Capellades - Barcelona, Spain	204
Jumptec Ltd, Christopher Ratcliffe, Manchester, UK	280
JUNG ANTRIEBSTECHNIK U. AUTOMATION GMBH und inotec AP GmbH, Wilhelm Jung und Ralf Roth, Wettenberg, Germany	47
JUVENTAS, Arkadiusz Solon, Sanok, Poland	177
KAN AR C'HOAD, David Defois, Kergrist-Moelou, France	198
Kanwal Enterprises, Tajinder Pal Singh Panesar, Gurgaon, India	
Karl Craik, Ashington, UK	259
Katanga s.r.o., Stephane Boving, Brno 2, Czech Republic	266
Kazemi Back Health S.L., Dionisio Silvestre, Cabanillas del Campo, Spain	284
kellersign, Didier Keller, Kilstett, France	337
Kelsons Testing Equipement, R. Nawale, Kolhapur, India	333
Klaus Kraus, Burgebrach, Germany	80
Klemm Bohrtechnik GmbH, Drolshagen, Germany	285
Komodus, Wojciech Smiech, Łeczna, Poland	178, 208
KREISSL 4 SPORT, Jürgen Kreissl, Ochsenfurt, Germany	207
Kröger Kranbau und Industrieservice, Ralf Staudenmaier, Neumünster, Germany	32

Participants



Krzysztof Kucharczyk Techniki Elektroforetyczne, Patryk Kaupa, Warszawa, Poland	197
KSR Technologies, Raghavendra K.S., Bangalore, India	334
Kühling&Kühling GbR, Jonas Kühling, Molfsee, Germany	82
KVG TECHNOLOGY, Siva Mani, Bangalore, India	
L&K Stadtilm GmbH, Sven Gasterstädt, Stadtilm, Germany	313
LAMEF/UFRGS, Otávio de Oliveira Pinto, Porto Alegre - RS, Brazil	296
LEGER sas, Jean Luc Dezileaux, Cancon, France	225
Legworks Inc./Holland Bloorview Kids Rehabilitation Hospital, Jan Andrysek, Toronto, Canada	261
Leibniz Universität Hannover, Institut für Mechatronische Systeme, Jan-Philipp Kobler, Hannover, Germany	18
Lewis Equipment, Simon Vizor, Bideford on Avon, UK	335
Liftup A/S, Flemming Eriksen, Stoevring, Denmark	182
Lo Studio di Bortolotto Massimo, Massimo Bortolotto, Santorso, Italy	301
Lochmann Cabine S.r.l., Veronica Pellegrin, Trodena nel Parco Naturale, Italy	220
LPPT Universitas Gadjah Mada, Aji M. Iqbal Barata, Yogyakarta, Indonesia	329
Lumi Industries srl, Davide Marin, Roncade, Italy	190
M Systems, Mirosław Ambrozewicz, Włocławek, Poland	312
M/S Duroflexworld.com, Sugumur Alagudurai, Hosur, India	211, 329
Machinery Development Services, Stuart Milne, Whitminister, UK	235
MADORA Dorota Sołtysiak, Mateusz Sołtysiak, Kotlin, Poland	343
Mai International GmbH, David Kampitsch, Feistritz/Drau, Austria	20
MAPRO d.o.o., Vincenc Faladore, Brezje, Slovenia	319
Marker Deutschland GmbH, Christian Brandl, Penzberg, Germany	75
MarkIndia Marking Systems, Dhiraj Purnekar, Aurangabad, India	
Maruti Gym, Chirag Patel, Vadodara, India	134
Maschinen- & Motorenmanufaktur Ralph Keller, Ralph Keller, Viersen, Germany	292
Maschio Gaspardo S.p.A., Enrico Bragatto, Morsano al Tagliamento, Italy	145
Maszyny Rolnicze A-Lima Bis, Karol Trzcinski, Sroda Wlkp, Poland	94
MATI Industries & Technologies, Félix Julien, Saint Andiol, France	159
MatinMat, Rubén Tortosa Cuesta, Rafaelguaraf, Spain	132

Teilnehmer

MAXXOM Automation GmbH, Horst Michael Grein, Oberhofen am Irrsee, Austria	50
Me-Mover ApS, Jacob Hiob Thilo, Rødovre, Denmark	274
MEC SHOT Blasting Equipments pvt. ltd, V.P. Vaishnav, Basni/Jodhpur, Indien	306
mechapro GmbH, Thorsten Ostermann, Herzogenrath, Germany	170
Meden-Inmed Sp. z o.o., Jarosław Sieniawski, Koszalin, Poland	267
Metalcraft Ltd./d.o.o., Vedran Presecki, Bjelovar, Croatia	39
METALOWIEC Sp. z .o.o Namysłów, Andrzej Dziuba, Namysłów, Poland	336
MEUNIER CARUS MEDICAL, Christophe Simon, Montferrat, France	91
MGT Liquid and Process Systems, Jack Belmacher, Malkia, Israel	37
MICHEL TAILLIS CREATION, Michel Tallis, Totes, France	244
MicroStep spol. s r.o., Juraj Figura, Hrinova, Slovakia	356
Microtech di Boin Vittorio, Vittorio Boin, Biella, Italy	314
MiniCut2d - Entreprise Renaud Iltis, Renaud Iltis, Fontenay-le-Comte, France	107
Mirage Machines Ltd., Dave Cochrane, Derby, UK	69
Miranda Automation Pvt. Ltd., Swami Sairam Piniseti, Navi Mumbai, India	222
Monodraught Ltd., James McGowan, High Wycombe, UK	275
Muscle Engineering, Guy Murray, Orleans, Canada	
N.S. Machine Tools, Nirmal Singh, Ludhiana, India	
NANOSOFT D.O.O., Jure Ukmar, Kamnik, Slovenia	330
NERA sas MECCANICA DI PRECISIONE, Matteo Nera, Robecco sul Naviglio, Italy	358
NEUERO Industrietechnik GmbH, Shauki Bagdadi, Melle, Germany	55
NIBE AB/Contura, Niclas Lundqvist, Markaryd, Sweden	348
Nord, Noriyuki Kochi, Nishihirokute, Anjochou, Anjo, Aichi, Japan	62
NordGlass Sp. z o.o., Sławomir Falkowski, Koszalin, Poland	343
Nordland Automatic A/S, Mads Vang, Nørresundby, Denmark	112
Nova Design Automazioni, Daniele Bruno, Barge, Italy	216
Nuova Saimar, Luca Frulli, Ravenna, Italy	
O-BR Enterprise, developments and licensing, Nikolaj Rasmussen, Walchwil, Switzerland	128
off. mecc. pandolfini roberto, Roberto Pandolfini, Signa, Italy	
Omnimec Srl, Bruno Terragnolo, Carzano, Italy	264
Omnitec Automação Ltda., Werner Spieweck, Canoas, Brazil	252

Participants

Only Creative, Andrea Pivetta, Cogollo del Cengio, Italy	73
Oprema-Ludbreg, Drago Glozinic, Ludbreg, Croatia	310
OPTOMACHINES, Emmanuel Braun, Riom, France	162
Organic Transit, Thomas Glass, Durham, USA	362
Osoba prywatna, Adrian Górski, Łowicz, Poland	337, 338
Osoba prywatna, Marcin Wilkowski, Radom, Poland	210, 332
Other Gravity Sp.zo.o., Patryk Kaupa, Jozefoslaw, Poland	316
Ottobock HealthCare GmbH, Andreas Schuh, Duderstadt, Germany	291
Ožbold Toman, Naklo, Slovenia	305
P.P.P Technical Sp.zo .o., Lukasz Nowakowski, Nowa Sól, Poland	
P.P.U.H. Dariusz Prochera, Dariusz Prochera, Ziebice, Poland	327
P.W. POLPAK, Tomasz Sasinowski, Stolno, Poland	334
Pago International BVBA, Patrick Aben, Sint-Niklaas, Belgium	102
PAR Enterprises Pvt Ltd, Subhendu Bhattacharyay, Kolkata, India	108
Pars Ramps, Dave Sennitt, Thetford, UK	35
Paulo Ribeiro, Queluz Lisboa, Portugal	298
PD Automation Daniel Mazurek, Paweł Wolf s.c., Daniel Mazurek, Jelenia Góra, Poland	87
Pe3o, raziskave in razvoj, d.o.o., Miha Pelko, Ljubljana, Slovenia	101
PFEIFER BORIS PFEIFER S.P., Boris Pfeifer, Koper, Slovenia	186, 324
Pharmech Engineering Co, Pares R. Mevada, Ahmedabad, India	152
Piedmont 361, Byron Wurdeman, Dobson, USA	257
PIMOT, Peter Mitas, Warsaw, Poland	248
Plasticum, Manuel Simao, Maia, Portugal	
Plinth 2000, Mark Leggit, Wetheringsett, UK	26
PNEUMAX TOMASZ SZYMONIAK, Tomasz Szymoniak, Pieszyce, Poland	158
Pol-Strautmann, Maciej Szulc, Lwówek, Poland	241
Politechnika Gdanska, Wydział Elektrotechniki i Automatyki,	
Krzysztof Gieldzinski, Kowal, Poland	44
Politechnika Lubelska, Krystian Łygas, Sitno, Poland	360
PolyGen Ltd, Rob Eavis, Chesterfield, UK	240
Pors & Rao Studio Private Limited, Ashok Srinivas Reddy, Bangalore, India	347



Teilnehmer

POWER-TECH, Janusz Marcin Ejma, Waczk, Poland	347
Powerbelt Conveyor Systems Inc, Surensel Sivagnanam, Woodbridege, Canada	361
PPT Equipment limited partnership, Khanchit Sae-Seaw, Bangkok, Thailand	65
ProAutomation GmbH, Roland Ambrosch, Wien, Austria	137
PROjekt M.Odzienkowski, P.Harhaj Sp.j., Marek Odzienkowski, Stargard Szczecinski, Poland	84
Projetechnica, Mr. Casé, Jundiai, Brazil	327
ProKASRO Mechatronik GmbH, Ulrich Zipperlen, Karlsruhe, Germany	149
PROMECH-MC, Paolo Rota, Zanica, Italy	322
Protendon GmbH & Co. KG, Tobias Fink, Aachen, Germany	237
PROVA Engineering Lda, Paulo Vinha, Custóias, Portugal	67
PROYACHEM, José Mateo Noguera, Murcia, Spain	
Przedsiębiorstwo Specjalistyczne APORO Sp. z o.o., Marek Wachowiak, Poznan, Poland	234
Przedsiębiorstwo Systemów i Urządzeń Technologicznych PROKMEL Sp. z o.o., Władysław Widłak, Piaseczno, Poland	184
PT Djabetesmen, Deni Haryanto, Bekasi, Indonesia	
PT Formulatrix Indonesia, Hendrartomo Hendra, Salatiga, Indonesia	95
PT. Bukit Bintang Sawit, Mr. Suanto, Jambi, Indonesia	355
PT. Dynamic Synergy International, Tony Tantono, Cengkareng, Indonesia	328
PT. HM Samporna Tbk, Christian Alvin, Surabaya, Indonesia	242
PT. Insera Sena (BiCycle - Polygon), Dwi B. Hariyantomy, Sidoarjo, Indonesia	352
PT. Matahari Alka, Mr. Darwisman, Bekasi, Indonesia	
PT. SURYA SMARTEKINDO, Deddy Sukmayadi, Bekasi, Indonesia	313
PT. Teco Multiguna Elektro, Anthony Na, Citeureup, Indonesia	243
PT. Unison, Taufiqur Rahman, Surabaya, Indonesia	353
PT. YKK Zipco Indonesia, Mr. Nurmansyah, Cikarang Barat, Indonesia	
Quattrocento Diseño SL, Sebastian Garcia, Loeches, Spain	223
R.K.TRANSONIC ENGG. PVT LTD., Kamal Kishor Yadav, Noida, India	
R.ZENTI, Raffaele De Valeri, Pianezza, Italy	
Race Up, Nicola Cardinali, Padova, Italy	256
Radgarten, Lothar Schmidtpott, Bad Salzuflen, Germany	185

Participants



Rajamane Industries Pvt Ltd, Sunil Maganahalli, Bangalore, India	308, 314
Ramos Elevación S.L., Miguel Ángel González Alonso, Málaga, Spain	350
RASSINI, Jorge Alonso Cardozo Rodriguez, Piedras Negras, Coahuila, Mexico	
RB Automatyka Radosław Błazejczyk, Radosław Błazejczyk, Ostrzeszów, Poland	229
Redwood, Mark Hausmann, Vaudreuil-Dorion, Canada	100
Reflex Tech Pvt ltd, Sanjay Lokhande, Thane, India	
Reprap Austria, Benjamin Krux, Neuhofen an der Krems, Austria	247
RIAS-Systemy Informatyzacji Przemysłu, Mariusz Pomorski, Poznan, Poland	305
Ricardo Sousa, Maia, Portugal	
Rita Pad Printing Systems Ltd, Nidhish Sharma, Gurgaon, India	
RM Group, Luke Richards, Newtown, UK	344
Robotiq Inc., Jean-Philippe Jobin, St-Nicolas, Canada	176
Roseville Robotics, Thomas Lageson, Falcon Heights, USA	40
Rösner 3D Prototyping, Olaf Rösner, Leun, Germany	71
Royes Engineering, Jacek Rojewski, Mosina, Poland	294
S&M interiors snc, Marco Pessotto, Polcenigo Pn, Italy	167
Saan Engineers, Arvind Desai, Navi Mumbai, India	
Safroys Machines Pvt. Ltd, Neville Koyithara, Kolkata, India	
Saibal Engineering Company, Saibal Mazumder, Mumbai, India	116
SAIC Liuzhou Automobile Transmission Co., Ltd., Tao Huang, Liuzhou, Guanxi, China	
SAKURAI Ltd., Masayuki Shudo, Kashinodai, Kawagoe, Saitama, Japan	52
SAM09 GmbH & Co.KG., Martin Bischoff, Plauen, Germany	103
Sandor Fodor, Jasztelek, Hungary	358
SANY Group Company Co., Ltd., Tao He, Changsha, China	
Sapa Extrusion India Pvt. Ltd., Selva Kumar, Kuppam, India	300
SAT SpA Multimetall, Lorenzo Caccia, Verona, Italy	356
Schmitt Elevadores, Ricardo Sousa, S. Mamede de Infesta, Portugal	42
Scientific Automation, Dharmesh Pala, Rajkot, India	270
Semmco Ltd, Ludovic Betremineux, Woking, UK	98
SET-1, Stepan Zhilin, Moscow, Russia	156
Shibaura Mechatronics Corporation, Kiyoshi Takahashi, Higashi Kashiwagaya, Japan	

Teilnehmer

Shree Systems Pvt Ltd, Harshad Thete, Pune, India	320
Shyre Ltd, Lee Gough, Shrewsbury, UK	233
Sicnova 3D, Juan Manuel Capel, Jaén, Spain	183
Sifla, Flavio Sinico, Zanè, Italy	105
Silverwings, Adrian Williams, Swansea, UK	277
SinterLT sp.zoo, Pawel Szczurek, Krakow, Poland	76
SirGomez Engineering AB, Thomas Koch, Vejbystrand, Sweden	169
Sklejka Orzechowo S.A., Eugeniusz Majchrzak, Orzechowo, Poland	232
Slyagri Ltd., Toby Kilham, Spalding, UK	79
SMB-Schröder Maschinenbau GmbH, Bernd Schröder, Falkensee, Germany	118
SOCEM ED - Fabricação, Engenharia e Desenvolvimento de Moldes, SA, Maria Costa, Martingança, Portuga	357
Soil Machine Dynamics, Karl Craik, North Shields, UK	254
Solar Flight Inc., Eric Raymond, Ramona, USA	219
Sourendra Chatterjee, Düsseldorf, Germany	
Splitsticks - TDA Services GmbH, Stefan Vellinger, Innsbruck, Austria	31
SPM Consultant, Jay Pancholi, Vadodara, India	155, 288
SPORT-ON, Jaroslaw Rola, Bukowiec, Poland	253
SRC, Roberto Cicuéndez Peñalver, Pedro Muñoz, Spain	361
SRG Machines Pvt Ltd, Mihir Garware, Pune, India	121, 309
SRI D.O.O., Silvo Rihtaric, Ptuj, Slovenia	281
SS Automation and Packaging Machines, N. Senthilkumar, Coimbatore, India	157
STALMOT & WOLMET, Marcin Wozniak, Wolsztyn, Poland	346
Steffen Fricke, Jena, Germany	348
STIM S.R.R., Roberto Rottaro, Cisterna di Latina, Italy	96
Strama, Piotr Strama, Łomianki, Poland	224
Submatix GmbH & Co KG, Uwe Lessmann, Erfurt, Germany	113
Sudharson Printline, Sundharaman K, Chennai, India	321
Sun Works GmbH, Anja Roosen, Brüggem-Bracht, Germany	192
Superfil Engineers Pvt. Ltd., Ayush Sharma, Delhi, India	139, 193
Surabaya Boat Modelling Club, Ir. Harijanto Hartanto, Surabaya, Indonesia	287

Participants



Sylvilogica GbR, Jürgen Henschel, Erfurt, Germany	172
TAPIAL ENTERPRISES, Subhash Chander Tapial, Noida, India	332
TDA, Florindo Tibaldo, San Gervasio, Italy	77
Technical Engineering Group, Shane Miller, Co Westmeath, UK	147
TERMA Sp. z o.o., Mateusz Pawelec, Gdansk, Poland	359
Terranere IXOW, Damien Golbin, Evreux, France	124
Tesag sp. z o.o., Konrad Klepacki, Gdynia, Poland	299
Tewes Bis sp. z o.o., Krzysztof Kisiel, Barczewo, Poland	340
TGW Iberica sistemas Logísticos SI, Gabriel Rueda Heredia, Barcelona, Spain	
The BioRobotics Institute - Scuola Superiore San'Anna, Stefano Roccella, Pontadera - Pisa, Italy	83
The University of Johannesburg, Warren Hurter, Johannesburg, South Africa	125
Thomas Morscher, Wien, Austria	194
Thule Sp. z o. o., Krzysztof Krystek, Krzyz Wlkp., Poland	90
TKM Projekt, Mateusz Szewc, Mirków, Poland	338
Tobeca, Adrien Grelet, Vendôme, France	74
TOMSTROJ D.O.O., Leon Tomšic, Notranje Gorice, Slovenia	363
top automazioni srl, Nicola Bargellini, Poggio Torriana, Italy	
Trem Diseño Industrial S.L., Roberto Domínguez, Madrid, Spain	203, 205
Tuscano Equipments private limited, Sudhan Chandrasekaran, Chennai, India	151
ULTIMA VIA, Panagiotis Kalaitzis, Ludwigsburg, Germany	104
Unicorn Automation (N.D.T) Ltd, Chris Forryan, Corby, UK	68
Universidad de Murcia. Departamento de Electromagnetismo y Electrónica, Leandro Victoria Navas, Aurelio Arenas Dalla Vecchia, Javier Abellán García, María José Nuñez Trigueros, Murcia, Spain	260
University of Birmingham, Luciano Grana, Birmingham, UK	276
University of Ljubljana, Faculty of Electrical Engineering, Matjaz Mihelj, Ljubljana, Slovenia	283
University of Warwick, School of Engineering, Simon Leigh, Coventry, UK	251
Urban Scholz-Görlach, Jena, Germany	160
Uroš Tominec, Logatec, Slovenia	349
V Engineering, Surendra Shelke, Pune, India	331

Teilnehmer

Valco Cincinnati, Adrian Linder, Telford, UK	226
VALFER AUTOMATIZACION DE PROCESOS INDUSTRIALES, S.L., Jose Alfonso Vallina Solares, Gijon, Spain	258
Van Herk Mechatronica, Ruud van Herk, Lage Mierde, Netherlands	238
Venus Stampings Private Limited, Sajeev Kathuria, Faridabad, India	171
Vitronics Soltec B.V., Christ Aertse, Oosterhout, Netherlands	200
Vlastimil Vojík, Strelské Hoštice, Czech Republic	278
VOLTEX ELECTRICAL WHOLESALERS SOUTH AFRICA, Shikash Sewraj, Kwazulu Natal, South Africa	
Voptica, Bart Jaeken, Murcia, Spain	322
Vossloh Cogifer, Isidro Oliva, Reichshoffen, France	309
VOXDALE BVBA, Maarten Geerinck, Antwerp, Belgium	295
Warade PackTech Pvt Ltd, Nilesh Gudhe, Pune, India	135
WeGo GmbH, Gerhard Grabmann, Berching, Germany	136
Wistron NeWeb Corp., Huang Shih Fong, Hsinchu Science Park, Taiwan	300
WOW Company, Henri Verkenne, Naninne, Belgium	218
Współpraca Spółka z o. o., Andrzej Bogdanowicz, Lublin, Poland	227
Wuxi Wangxing Curtain Wall, Xiaowei Zhang, Wuxi, China	179
Wye Cylinder Engineering Ltd, Daryll Richardson, Hereford, UK	30
Wytwórnia Sprzetu Rehabilitacyjnego „IMPULS“, Stanisław Andruszkiewicz, Opole, Poland	
xhia produktentwicklung, Harald Gorr, Eschwege, Germany	265
Yantrna Systems, Sammeer Sultane, Pune, India	236
Z.P.H. METAX Z.Ziółek Sp.J., Andrzej Ziółek, Raszyn, Poland	
ZASEBNI RAZISKOVALEC BRANKO MOLICNIK, Branko Molicnik, Nazarje, Slovenia	363
ZDT TOP Poreba Spółka z ograniczona odpowiedzialnoscia Sp. k., Łukasz Tondos, Poreba, Poland	85, 123
Zegeber S.L., Genís Hernández Reverté, Cabrils, Spain	323
Zorin Sp. z o.o., Krzysztof Szymanski, Gołuski, Poland	307

Participants





manus® Koordinationsbüro
c/o igus® GmbH
Postfach 90 61 23
51127 Köln

manus® coordination office
c/o igus® GmbH
Postfach 90 61 23
51127 Cologne

Tel.: +49 2203 9649 -7276
Fax: +49 2203 9649 -631
www.manus-wettbewerb.de
www.manus-award.com
manus@igus.de

Die Begriffe „igus“, „e-ketten“, „e-kettensysteme“, „e-chain“, „e-chainsystems“, „energy chain“, „energy chain system“, „readychain“, „readycable“, „chainflex“, „easy chain“, „triflex“, „twisterchain“, „flizz“, „vector“, „pikchain“, „CFRIP“, „iglidur“, „igubal“, „drylin“, „dryspin“, „xiros“, „xirodur“, „manus“, „roboLink“, „speedigus“, „dry-tech“, „motion plastics“ und „plastics for longer life“ sind in der Bundesrepublik Deutschland und gegebenenfalls international markenrechtlich geschützt.

The terms „igus“, „e-ketten“, „e-kettensysteme“, „e-chain“, „e-chainsystems“, „energy chain“, „energy chain system“, „readychain“, „readycable“, „chainflex“, „easy chain“, „triflex“, „twisterchain“, „flizz“, „vector“, „pikchain“, „CFRIP“, „iglidur“, „igubal“, „drylin“, „dryspin“, „xiros“, „xirodur“, „manus“, „roboLink“, „speedigus“, „dry-tech“, „motion plastics“ and „plastics for longer life“ are legally protected trademarks for igus® GmbH/Cologne in the Federal Republic of Germany and, where applicable, in some other countries.