



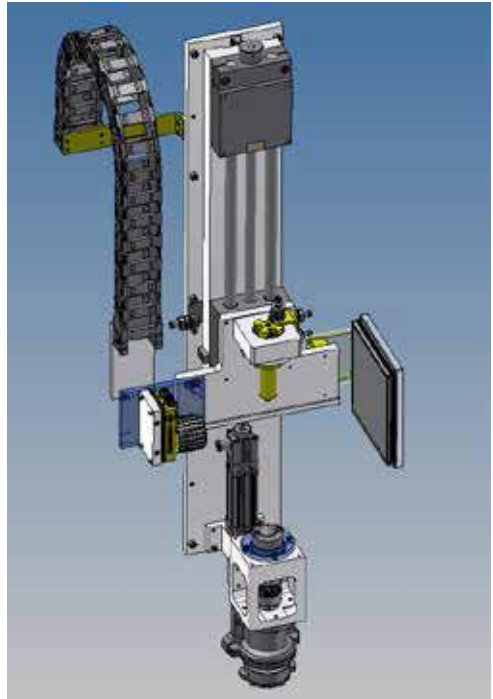
# **Weitere Einsendungen**

## Further applications

# Weitere Einsendungen



Qingdao Victall Railway (Group) Co.,Ltd,  
Xiaofeng Gao, Qingdao City, China  
Hochgeschwindigkeitszug  
High-speed train



MBB Technology Changzhou Co., Ltd.,  
Zihua Zhang, Changzhou, China  
Fertigungstechnik  
Production technology

# Further applications

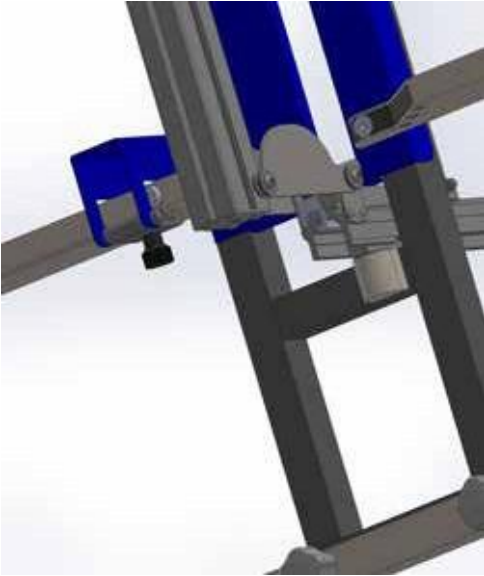


FiaProTeam GmbH (Storch-Ciret Production), Andre Busch, Rodeberg OT Struth, Germany  
Schneidführung  
Cutting guide



FiaProTeam GmbH (Storch-Ciret Production), Andre Busch, Rodeberg OT Struth, Germany  
Schneidlineal  
Cutting ruler

# Weitere Einsendungen



FiaProTeam GmbH (Storch-Ciret Production), Andre Busch, Rodeberg OT Struth, Germany  
Schneidtechnik  
Cutting technology

WeiMi GmbH, Christian Weisbecker, Niederau, Germany  
Spanntechnik  
Clamping technique



# Further applications

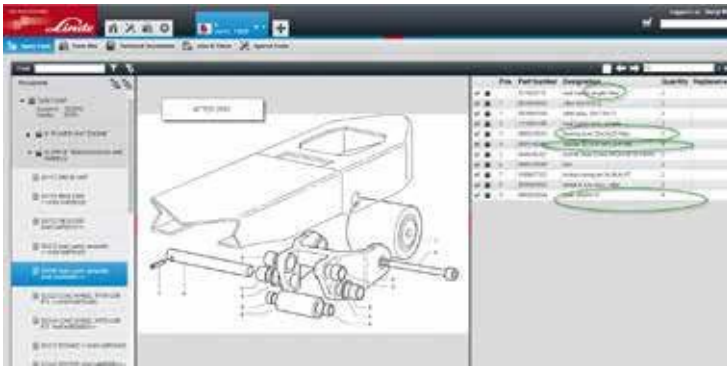


Yamanashi Bind Co.,Ltd., Masatoshi Wakatsuki, Yamanashi Präfektur Yamanashi Shimokanogawa, Japan

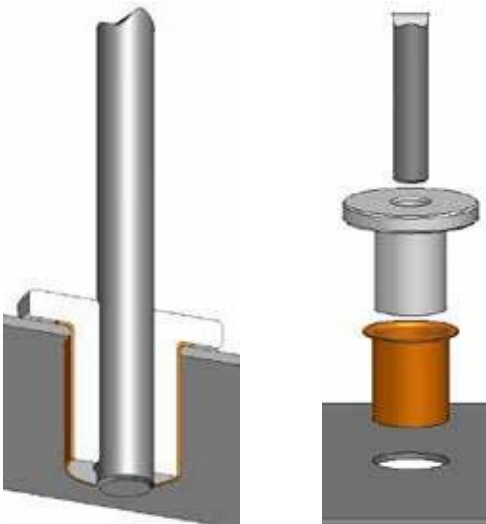
Freikolben Rieleit, Peter Rieleit, Düsseldorf, Germany  
Lineargenerator  
Linear generator



# Weitere Einsendungen

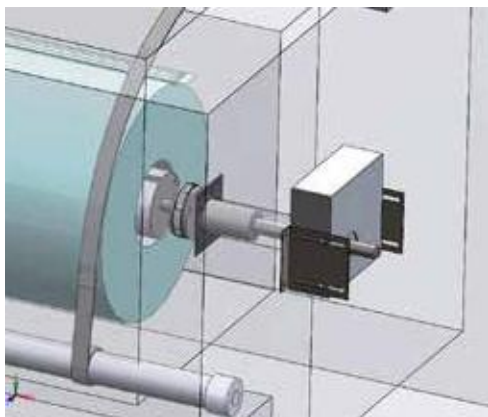


Manutention Quebec, Darryl Wiltzen,  
H9P1E4 Pointe Claire, Canada  
Gabelstapler  
Forklift



TK Innovation, Jan Ledin, Köpmanholmen,  
Sweden

# Further applications



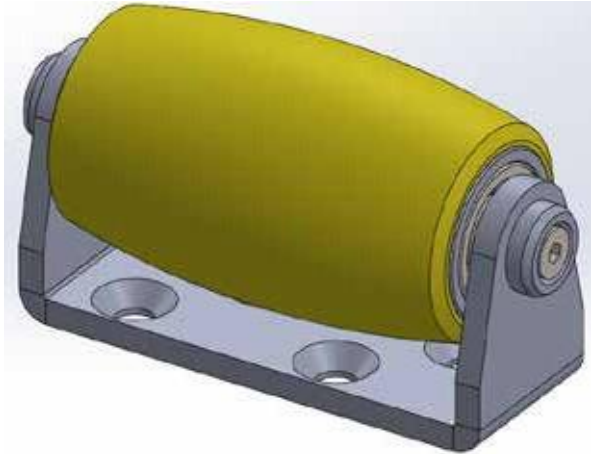
Polimpianti S.R.L, Stefano Prestinoni,  
Azzate, Italy  
Schwimmbadtechnik  
Pool technology



COMET, Lorenzo Dal Canale,  
Santa Maria di Sala, Italy  
Werkzeugmaschine  
Machine tool

# Weitere Einsendungen

Klindex s.r.l., Matthias Santarelli,  
Manoppello Scalo, Italy



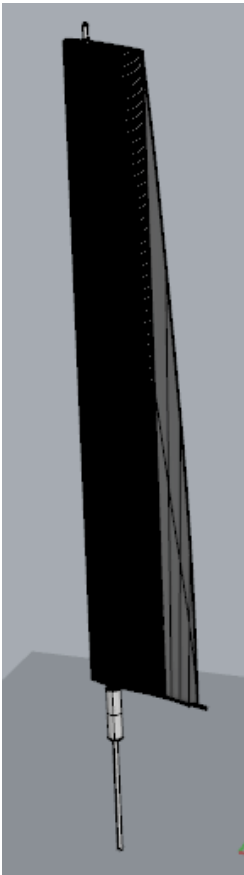
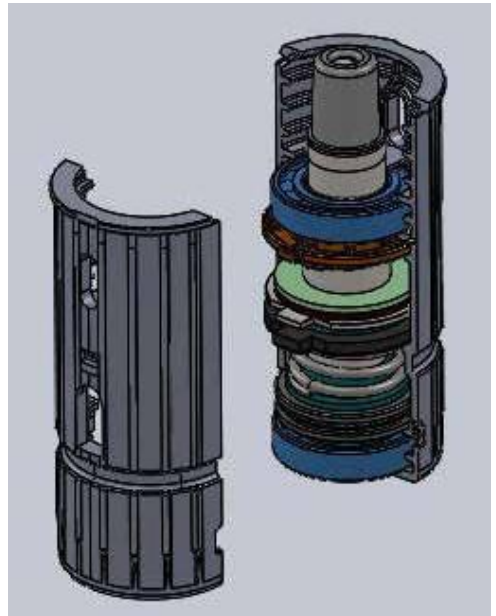
Predari Vetri Spa, Fabio Tellini,  
Curtatone MN, Italy  
Sandstrahlmaschine  
Sandblasting system



# Further applications



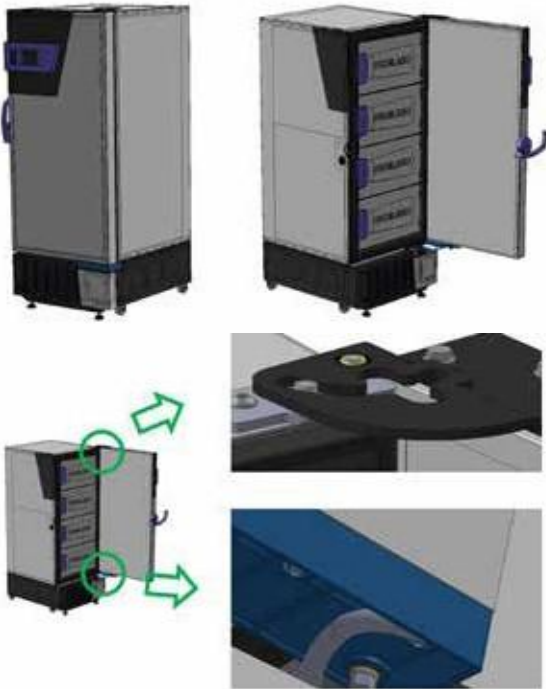
Stylgame srl, Paolo Cencigh, Spilimbergo,  
Italy  
Drehmechanismus  
Rotation mechanism



Studio Poletti, Gianpaolo Poletti, Pantiglia-  
te, Italy  
Segeltechnik  
Sailing technology

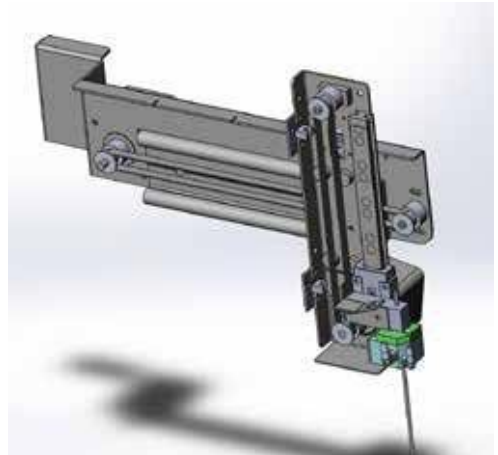
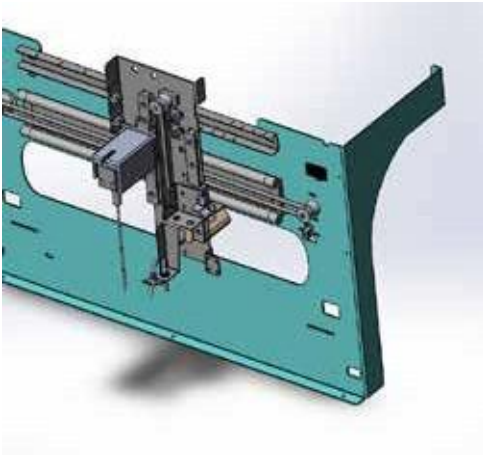
# Weitere Einsendungen

AFI Groups, Norbert Rolland,  
Chateau Gontier, France  
Laborgefrierschrank  
Laboratory freezer



Astra Otoparts tbk Divisi Winteq,  
Guna Guna Andi Pratama, Bogor, Indonesia

# Further applications



CPC Diagnostics Pvt Ltd,  
Anil Kumar Yarlalagadda, Chennai, India  
Medizintechnik  
Medical technology



Adient Poland, Radosław  
Chitruń, Świebodzin, Poland  
Montagestand  
Assembly location

# Weitere Einsendungen

Electro Lab Ingenieros S.L., Cesar Mendez, Torrejon De Ardoz, Spain  
Getriebetechnik  
Gear technology



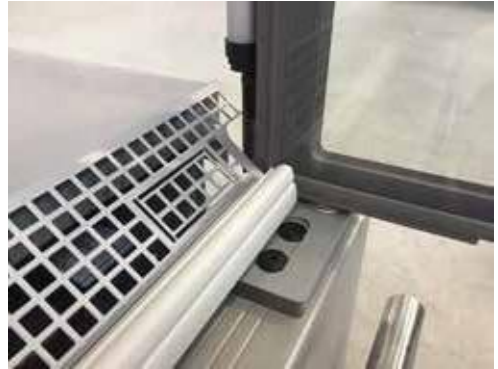
Turan, Jean Nius, IJmuiden, Netherland



# Further applications



JBG-2 Sp. z o.o., Krzysztof Stubiński,  
Warschau, Poland  
Kühlschranktür  
Refrigerator door

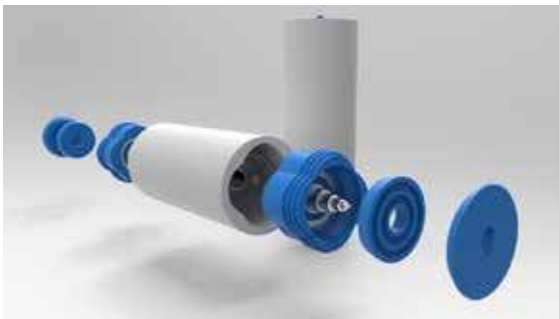


JBG-2 Sp. z o.o., Krzysztof Stubiński,  
Warschau, Poland  
Türsystem  
Door system

# Weitere Einsendungen



Global Smart Project, Nikita Naumov, Balashikha, Russia  
Fördertechnik  
Conveyor technology



A Tech Automation & Robotics,  
Santosh Pandey, Faridabad, India  
Schweißtechnik  
Welding technology



# Further applications



Plot Electronics Przemysław Szymański,  
Michał Kisiel, Giżycko, Poland  
Fräsplotter  
Milling plotter

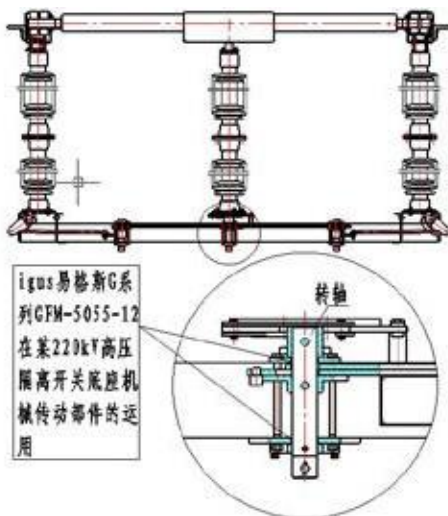


Constellium Extrusions Decin s.r.o., Roman  
Farský, Děčín, Czech Republic  
Automatisierung  
Automation

# Weitere Einsendungen

Jiangsu Rugao high-voltage electrical Co.,  
Shanhua Ma, Nantong City, China

Antriebstechnik  
Drive technology



LINEA 20 Snc, Osvaldo Vezzoli,  
Grumello del monte, Italy

Automation  
Automation

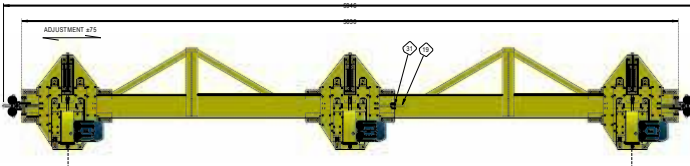
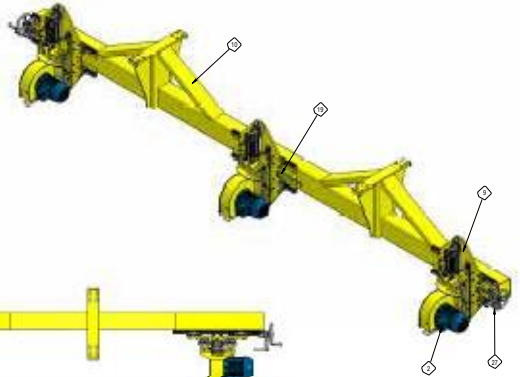




# Further applications



ITEM	PART NUMBER	QTY.	ITEM	PART NUMBER	QTY.
1	6031700 Blade	3	25	Counterbore Head Cap Screw M8 x 20	3
2	6031702 Clamp Arm	3	26	Drive Nut M16	2
3	6031702 Blade Clamp Motor Side	3	27	Handwheel Ø180 x Ø16 x 5 Key-Al. with handle	2
4	6031703 Blade Clamp Outside	3	28	Hex Nut M12 x 30	24
5	6031704 Shaft Lock	3	29	Hex Head Set Screw M16 x 50	3
6	6031706 Retainer	3	30	Hex Head Set Screw M8 x 16	12
7	6031708 Mount	3	31	Hex Nut Plain M12	20
8	6031708 Cover	3	32	Linear Ring Ball TX520X2.5	4
9	6031708 Rail Mount	3	33	Linear Rail THK SHS35C2S0600200	3
10	6031708 Stophead	1	34	Linear Rail THK SHS35C2S0760200	3
11	6031710 Cylinder Thread Plate	3	35	Linear Rail THK SHS35C2S0760200	3
12	6031711 Motor Mount	3	36	Lock Nut M12	6
13	6031712 Locator	2	37	Motor 1.50W 90S 2Pha	3
14	6031713 Clamp	2	38	Plain Washer M16	30
15	6031714 Bearing Mount	2	39	Steel C80X40X7	4
16	6031716 Clamp Screw	2	40	Shaft Key ISO63	2
17	6031718 Thread Block	2	41	Socket Head Cap Screw M10 x 25	120
18	6031717 Clamp Ring	2	42	Socket Head Cap Screw M8 x 25	8
19	6031718 Location Screw	1	43	Socket Head Cap Screw M8 x 16	168
20	6031718 Thread	2	44	Socket Head Cap Screw M8 x 20	40
21	6031720 Bearing Block	2	45	Spring Lock Washer M12	30
22	Ball Bearing BMBC C60024B-100C	3			
23	Ball Bearing 7203 Duplex DB	2			
24	Cap THK CR	138			



<small>                 100% design responsibility: 6031700-6031720                  100% mechanical design responsibility: 6031700-6031720                  100% assembly responsibility: 6031700-6031720                  100% test responsibility: 6031700-6031720             </small>	<small>                 DATE: 20/06/2016                  DRAWING NO.: 6031700-01                  PROJECT NO.: 6031700-01             </small>	<small>                 COLOR:                   MATERIAL:                   FINISH SPEC:             </small>	<b>ROYALBOARD</b>	<small>                 DRAWN: CAM JACKSON                  SCALE: 1:20             </small>	<small>                 DATE: 20/06/2016                  LAST SAVE: 11/07/2016             </small>	<small>                 RB-1 Baskara                  6031700 Assy of Cutlers             </small>	<small>                 6031700-01                  SHT 1 OF 4 REV 0             </small>
--	---	--	-------------------	--	--	--	---

2k technologies, Mebin Scaria,  
Hyderabad, India  
Förderbänder  
Conveyor belts

# Weitere Einsendungen



Hydro & Balneo, Patrice Bourgade,  
Aubiere, France  
Sport  
Sports

Pico Automation, Dhanasekar R,  
Coimbatore, India  
Förderband  
Conveyor belt

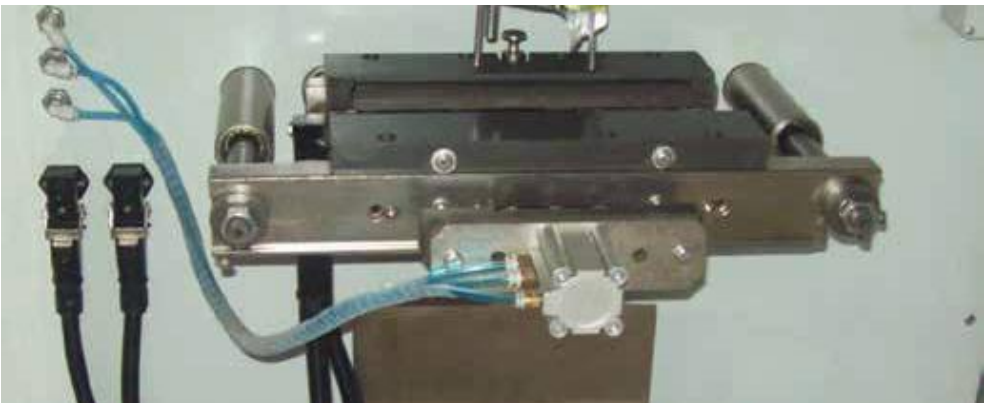


# Further applications



DIGITAL DK Dariusz Kurzawa, Dariusz  
Kurzawa, Gdynia, Poland  
Förderband  
Conveyor belt

Selct Packaging Machinery Pvt. Ltd., Na-  
rendra Tadvi, Vadodara, India  
Automatisierung  
Automation

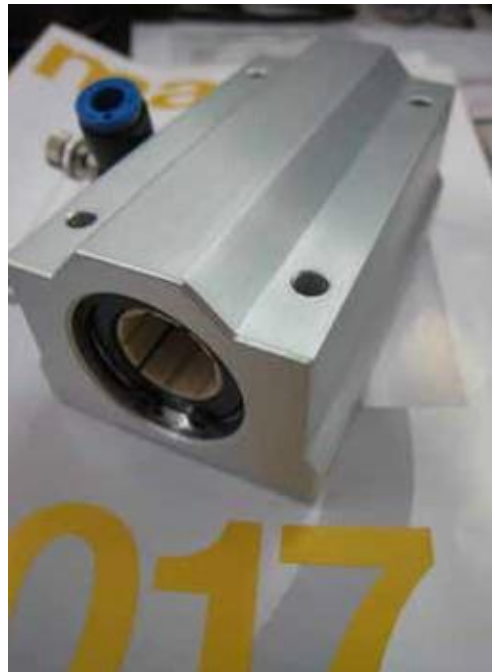


# Weitere Einsendungen



FILLPACK, Kantilal Panchal, Thane, India  
Abfüllanlage  
Filling system

Nippon-Polystar Co., Ltd, Matsuo  
Shuhsaku, Ishibeguchi, Konan-shi,  
Shiga-ken, Japan  
Lebensmittelindustrie  
Food industry



# Further applications



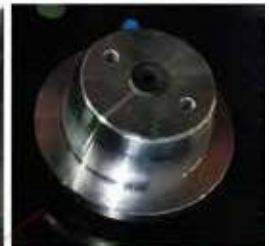
AF.UT. S.R.L.m, Gianfranco Biagiotti,  
Cortona, Italy  
Simulator  
Simulator

Element Sport / Company representative,  
Takahashi Kazuyuki, Higashiryoke,  
Kawaguchi-shi, Saitama-ken, Japan  
Autotechnik  
Cartechnology

<suspension>



<spring retainer>



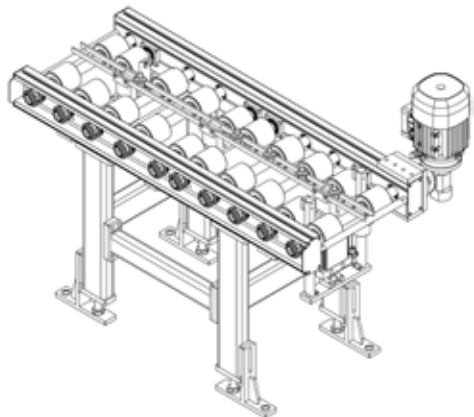
<SAM-20>

# Weitere Einsendungen



MOBIL TECH s.a.s., Luca Barin,  
Bovisio Masciago, Italy  
Satellitenanlage  
Satellite system

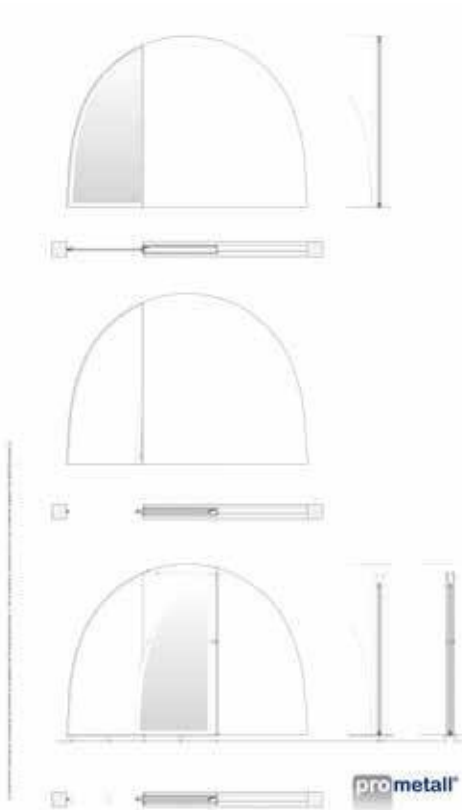
Apicom Automation Pvt Ltd,  
Saravanan P Perumal, Bangalore, India  
Automatisierung  
Automation



# Further applications



Koike Sanso Kogyo Co., Ltd, Takeshi Yaguchi, 1 Onodai, Midori-ku, Chiba-shi, Japan

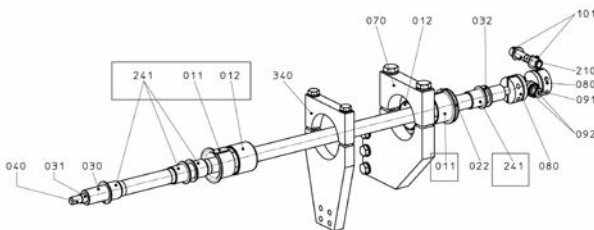


Prometal Soluciones, s.l., Javier Medina García, San Sebastián de los Reyes, Spain  
Konstruktion  
Engineering

# Weitere Einsendungen



XUJI Electrical Manufacturing Centre, Haihang Wu, Xuchang, China  
Unterbrechermechanismus  
Interruption mechanism



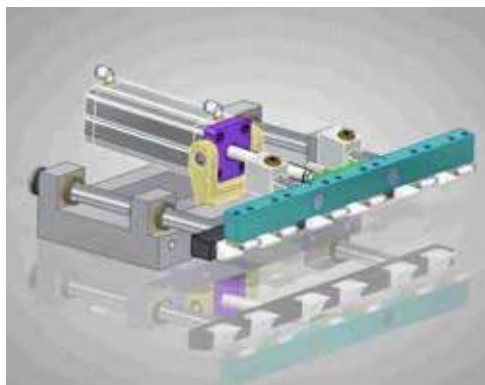
Agrozumos, Juan Carlos  
Cintora, Lekumberri, Spain



# Further applications



Dafo Plastics, Łukasz Daniel,  
Nowy Targ, Poland  
Gussform  
Casting



Optopol Technology, Wojciech Machalski,  
Zawiercie, Poland  
Medizin  
Medicine

# Weitere Einsendungen



Multiserw-Morek, Piotr Pyrek,  
Brzeźnica, Poland



Optopol Technology, Wojciech Machalski,  
Zawiercie, Poland

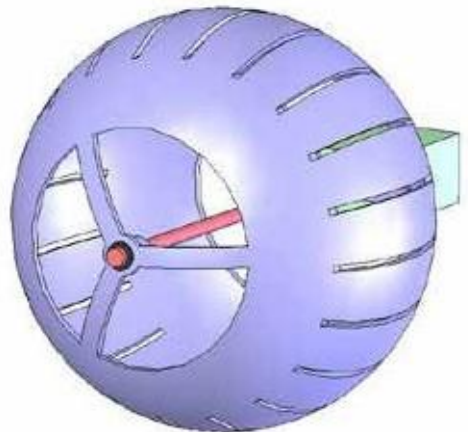
Perimeter  
Perimeter

# Further applications



Kitamura Seisakusho Co., Ltd, Daisuke  
Saito, Ryohkawa, Minami-ku, Niigata-ken,  
Japan  
Reinigungstechnik  
Cleaning technology

Jens Klepsch, Gera Niebra, Germany  
Tierspielzeug  
Table tool

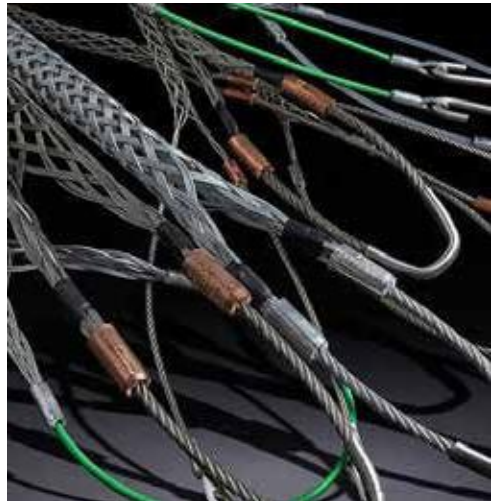


# Weitere Einsendungen



Agetec, Sebastien Baldi, Tonneins, France  
Automatisierung  
Automation

Gattegno, Philippe Grenier, Saint-Ouen  
l'Aumône, France  
Robotik  
Robotics



# Further applications



TRESCOM sp. j. Andrzej Sirko i wspólnicy,  
Andrzej Sirko, Białystok, Poland  
Abwickelrolle  
Unwind reel



AS Industrialservice, Stefano Marra,  
Verdellino, Italy  
Automatisierung  
automation

# Weitere Einsendungen



ID 271 chinesische Schriftzeichen????????, China  
Automatisierung  
Automation



Susi Industriess, Shivaswame Vellingiri,  
Coimbatore, India  
Papierindustrie  
Paper industry

# Further applications



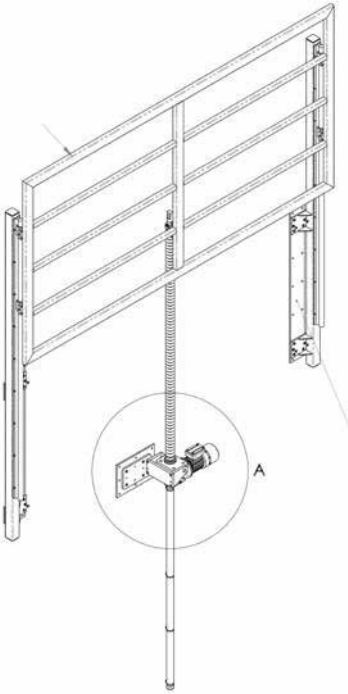
SPM Consultant, Jay Pancholi, Vadodara,  
India  
Sondermaschinen  
Special machines



Transmech Industry, Jay Shah, Vadodara,  
India

# Weitere Einsendungen

Renault Le Mans, Dominique Barrier,  
Le Mans Cedex 9, France  
Industrieöfen  
Industrial furnaces

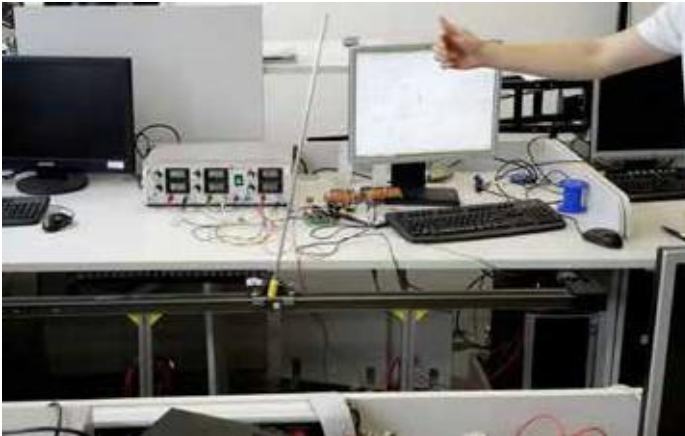


Pearl Musical Instrument Co., Ltd., Akihito  
Takegawa, Yachiyo-shi, Chiba-ken, Japan  
Drummerzubehör  
Drummer accessory





# Further applications



Brno University of Technology, Faculty of  
Mechanical Engineering, Roman Adámek,  
Brno, Czech Republic  
Invertes Pendel  
Inverted pendulum



PT Schott Igar Glass, Panca Purakusuma,  
Bekasi, Indonesia  
Pharmazie  
Pharmacy

# Weitere Einsendungen



Chennai Metco, Srinivasan M, Chennai, India  
Schleifmaschine  
Grinding machine



Crown Industries, Kiran Kumar Kongara,  
Hyderabad, India  
Verpackung  
Packaging

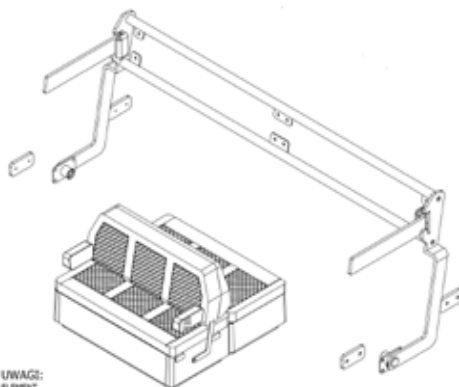
# Further applications



BWP Skórkiewicz sp.j., Krzysztof Żyliński,  
Olecko, Poland  
Sitztechnik  
Seat technology



BWP Skorkiewicz sp.j., Krzysztof Żyliński,  
Olecko, Poland  
Möbel  
Furniture



UWAGA:  
ELEMENT  
WYKONANY ZE STALI KWAŚNOCOPRNEJ  
POLIROWANY

# Weitere Einsendungen



Hennlich ind.tehnika d.o.o., Ivan Vugrin,  
Gornji Stupnik, Croatia  
Schweißtechnik  
Welding technology



Metal Produkt Majewski Marcin,  
Marcin Majewski, Kielce, Poland  
Förderband  
Conveyor belt

# Further applications



HydeXSim, Craig Hyde, Morecambe,  
Great Britain  
Bewegungssimulator  
Motion simulator

Malvestio S.p.a, Stefano Muzi,  
Villanova di Campossampiero, Italy  
Medizinzubehör  
Medical devices



# Weitere Einsendungen



medical-robots, Dirk Wenmakers, Dilsen,  
Belgium  
Medizintechnik  
Medical technology



Coffeeday Global Limited, Kumar SB,  
Bangalore, India  
Kaff  
Coff machine

# Further applications



Ostrich Mobility Instruments Pvt. Ltd.,  
Roopesh B S, Bangalore, India  
Medizintechnik  
Medical technology

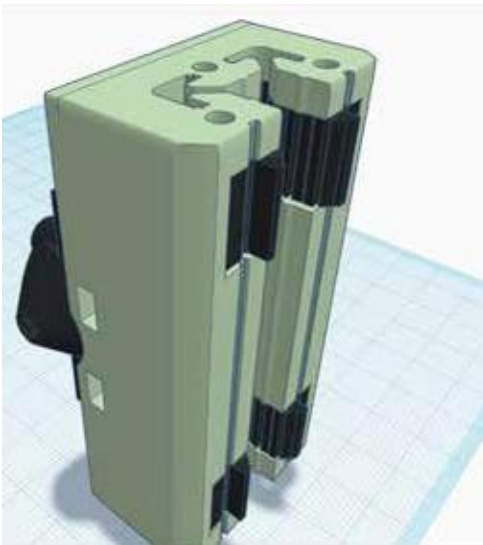
Proseal Closures Limited, Satheeshaiah  
K.B., Bangalore, India  
Automation  
Automation



# Weitere Einsendungen



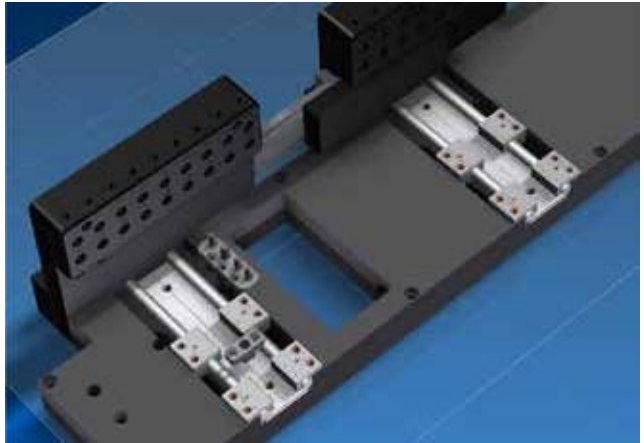
Royes Engineering, Jacek Rojewski,  
Mosina, Poland  
Teigroller  
Dough roller



Crowther@sons, Daniel Crowther, Lincoln,  
Great Britain  
3D-Druck  
3D printing



# Further applications



Philips Lighting Electronics Mexico S.A. De.  
C.V., Mario Tirado, Tijuana, Mexico  
Testanlage  
Testsystem



BAOJI oilfield machinery co., ltd,  
Guangliang Xing, Baoji City, China  
Fördertechnik  
Conveyor technology

# Weitere Einsendungen



JM Boillat-ing, Jean-Marie Boillat, Fribourg,  
Switzerland  
Türsystem  
Door system

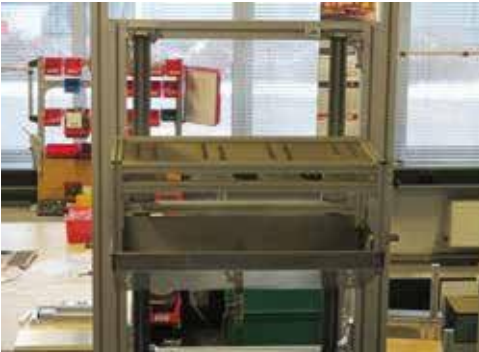
waterblade GmbH, Martin Frei, Roggwil,  
Switzerland  
Turbine  
Turbine



# Further applications



modul tec GmbH, Jens Dienemann, Hü-  
ckeswagen, Germany  
Prüfstandtechnik  
Test stand technology



modul tec GmbH, Jens Dienemann, Hü-  
ckeswagen, Germany  
Prüfstand  
Test stand

# Weitere Einsendungen



Nichrome India Ltd, Bajirao Patil, Pune,  
India  
Füllmaschine  
Filling machine



Iniziativa Industriali, Claudio Vallivero,  
Valdengo, Italy  
Textilindustrie  
Textile industry

# Further applications



Scope mounted electronics, George Breiwa, Deforest, USA

Kameratechnik

Camera technology

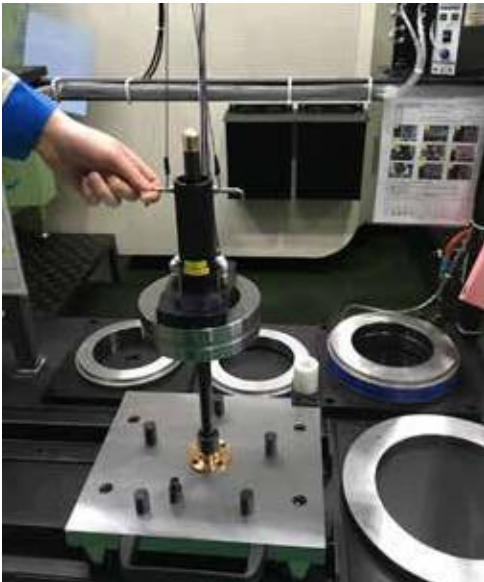
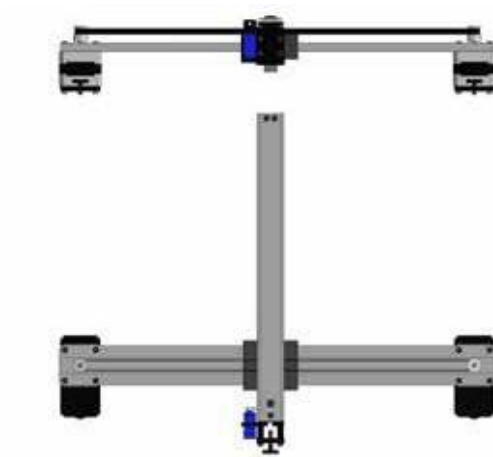


Konstruktor, Sylwan Chlebowski, Widawa, Poland

Müllentsorgung

Waste disposal

# Weitere Einsendungen



Made In Workshop, Nikola Ivanovic,  
Johannesburg, South Africa  
Plotter  
Plotter

# Further applications



avis Co.,Ltd., Akeo Yoshida, Tokyo Taito-ku  
Kitaueno, Japan  
Fototechnik  
Photo technology



Robertson Machinery Company, Robert  
Jose, Bangalore, India  
Fadenheftmaschine  
Thread-stitching machine



# Weitere Einsendungen



Robertson Machinery Company,  
Robert Jose, Bangalore, India  
Fadenheftmaschine  
Thread-stitching machine



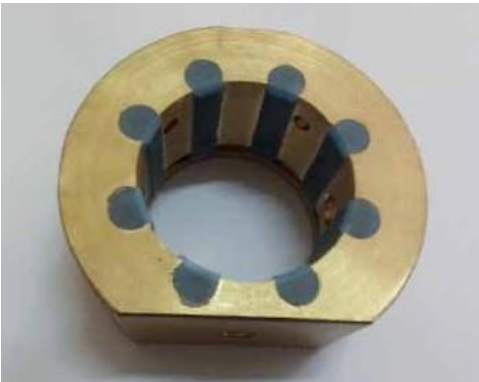
Ostrich Mobility Instruments Pvt. Ltd.,  
Roopesh BS, Bangalore, India  
Krankenhauszubehör  
Hospital accessories



# Further applications



Flexi Efficads Pvt Ltd, Nachiyappan M,  
Bangalore, India  
Förderbandtechnik  
Conveyor belt technology



Cv Sentral Jaya Mechatronic, Herdianto  
Ametro, Pekalongan, Indonesia  
Verpackungsmaschine  
Packaging unit

# Weitere Einsendungen



Earth Engineering Co., Prakash Mevada,  
Ahmedabad, India



Orient Engineering Works, Sanjay Kumar,  
Jaipur, India  
Poliermaschine  
Polishing machine

# Further applications

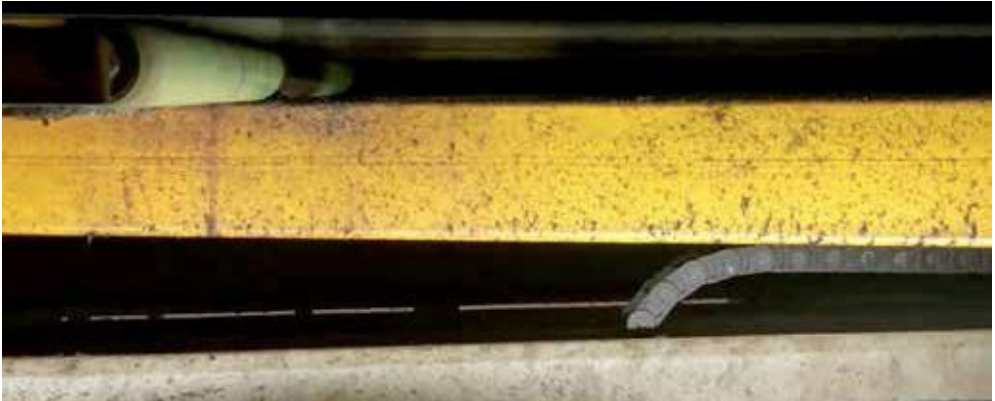


Insight Engineering, Balamurugan  
Ganesan, Chennai, India  
Automatisierung  
Automation

Classic Engineering Industries,  
Omveer Singh, Jaipur, India  
Automatisierung  
Automation



# Weitere Einsendungen



Pt. Unggul Jaya Sejahtera, Sugijanto  
Hartojo, Pekalongan, Indonesia



Rita Pad Printings Systems Limited,  
Gajender Sharma, Gurgaon, India  
Drucktechnik  
Print technology

# Further applications



Lord Krishna Pad PPrinting, Yadav Gurgaon,  
Gurgaon, India  
Tampondruck  
Pad printing



Minda, Nikolaus Breitkop, Petershagen,  
Germany  
Kolbenbolzenlager  
Small end bearings

# Weitere Einsendungen



VEC Chocolate Machines Pvt. Ltd, Rajinikanth Patange, Hyderabad, India

Kühltunnel

Cooling tunnel

Dilip Sivaraman, Bangalore, India

Uhrmechanismus

Clockmeachnism



# Further applications



„Koike Sanso Kogyo Co., Ltd.,  
Mechanical Engineering Department“,  
Tsuyoshi Tanowaki, 1 Onodai, Midori-ku,  
Chiba-shi, Japan

Hitze- und Flammschutz  
Heat and fl protection



Sapphire Autotech, Mayank Khanna,  
Gurgaon, India



# Weitere Einsendungen



Luka Zavrtanik, Nova Gorica, Slovenia  
3D-Druck  
3D printing



Technofour Electronics Pvt. Ltd,  
Ashwamedh Kulkarni, Pune, India



# Further applications



Protoprint, Pavel Sedláček, Plzeň,  
Czech Republic  
Frästechnik  
Milling technology

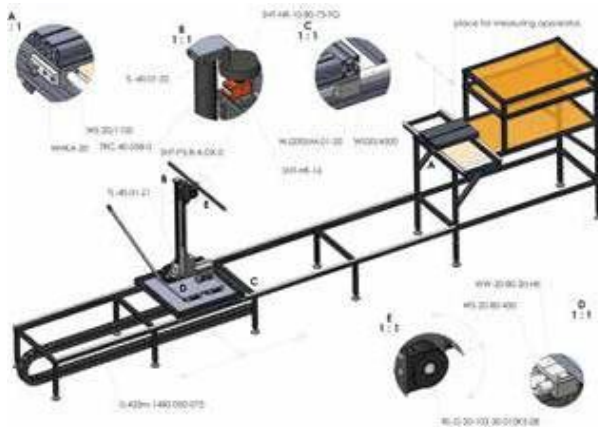


# Weitere Einsendungen

Technofour Electronics Pvt Ltd, Ganesh Patil, Pune, India



Virtual Reality Media, Juraj Géci, Trenčín, Slovenia  
Messvorrichtung  
Measuring device



# Further applications



Stimmt Automation, Logesh T, Chennai,  
India  
Schleifmaschine  
Grinding machine



Spark Line, Girish Sortur, Hubli, India  
Automatisierung  
Automation

# Weitere Einsendungen

C J Industry, Chetan Patel, Vadodara, India

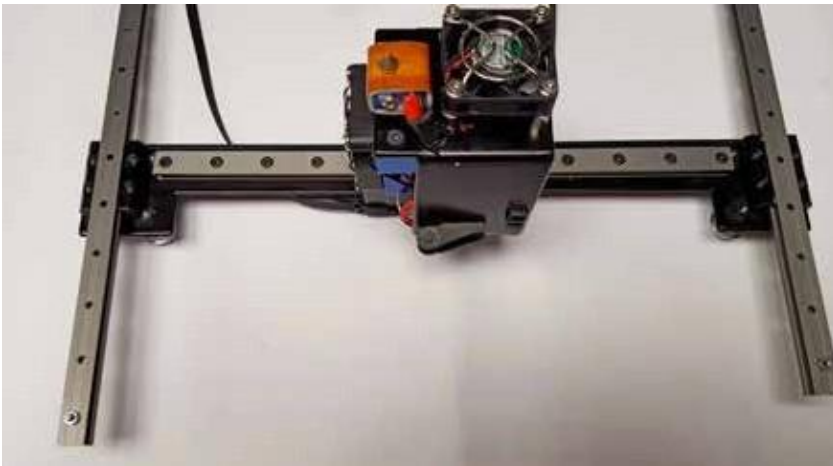


Bianco sp z oo, Krzysztof Kander,

Mitomlyn, Poland

3D-Drucker

3D printer



# Further applications



Pentaco Automation Pvt Ltd, Sandip  
Sasane, Pune, India  
Automation  
Automation



Autowrapping Systems, S K Sure, Vadodara,  
India  
Verpackungsmaschine  
Packaging machine

# Weitere Einsendungen



Gala Precision Engineering Pvt. Ltd., Nirav  
Makadia, Vasai, India

Automation

Automation

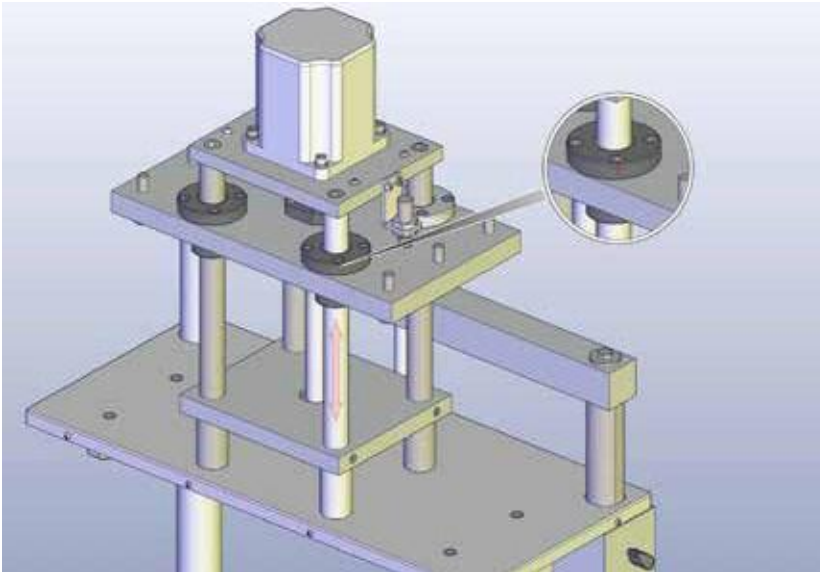


7 Degriz, Vijay Pancholi, Vadodara, India

Prozeßautomation

Process automation

# Further applications

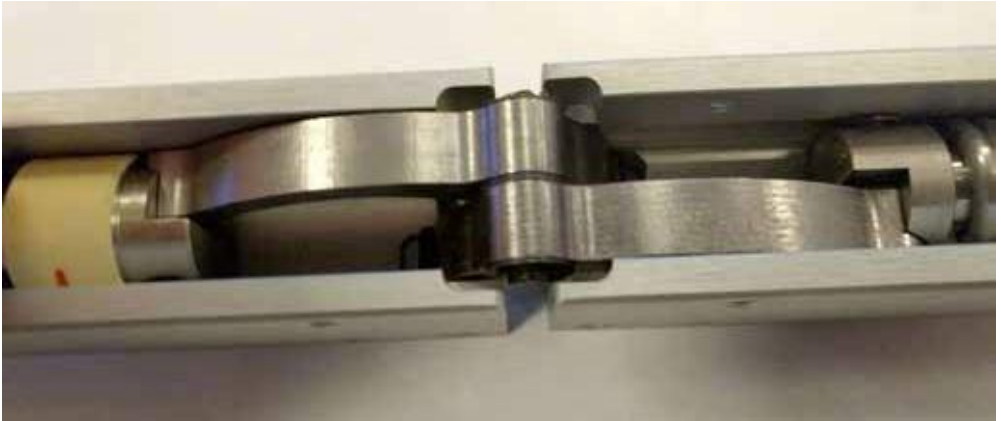


Brothers Pharmamach, Dharmesh Gajjar,  
Ahmedabad, India  
Etikettiergerät  
Labelling machine



Osoba prywatna, Marcin Wilkowski,  
Sadków, Poland

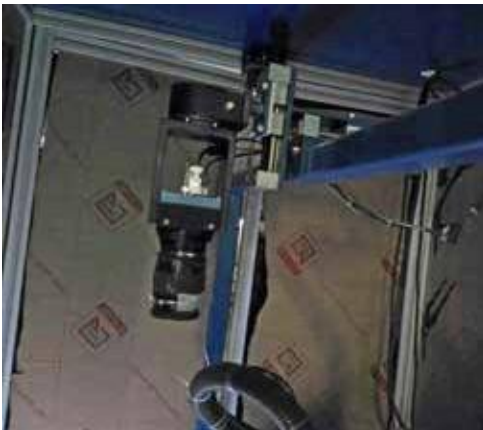
# Weitere Einsendungen



Colcom Group Spa, Luca Benedetti, Nave  
(BS), Italy

Türmechanismus

Door mechanism



Tej Control Systems Pvt Ltd, Rajesh Kumar,  
Thane, India

Inspektionsmaschine

Inspection machine



# Further applications



Sweta Mechanical Works Pvt Ltd, Subhash  
GuptaUmbergaon, India  
Automatisierung  
Automation

MechProject - Wojciech Steindel, Wojciech  
Steindel, Wierzchosławice, Poland  
Automatisierung  
Automation



# Weitere Einsendungen

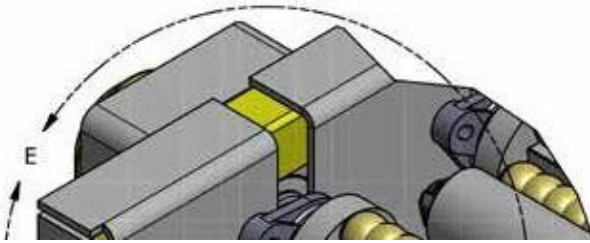


Krishna Industries, Mahendra Prajapati,  
Ahmedabad, India  
Lebensmittelindustrie  
Food industry

Fabtech Industries, Velmurugan N,  
Coimbatore, India  
Schneidetechnik  
Cutting technology



# Further applications



CONVEYORS Y ACCESORIOS REGIONAL-  
TANOS S.A. DE C.V., Máximo Roel  
Gallegos, Guadalupe, Mexico  
Automatisierung  
Automation

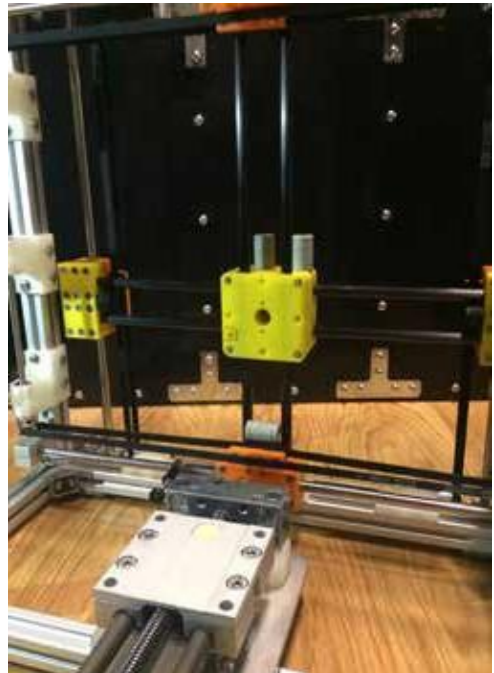
SP Automation & Packaging Machine,  
Suresh R, Coimbatore, India  
Verpackungsmaschine  
Packaging machine



# Weitere Einsendungen



Jost Svetek & co. d.o.o., Matjaž Svetek,  
Ljubljana, Slovenia  
Sport  
Sports



3xD Open Source CNC., Robert Bartz  
Michał Marciniak

# Further applications



Lohia Corp, Vaibhav Singh, Kanpur Nagar, India

Automatisierung  
Automation

Robertson Machinery Company, Robert Jose, Bangalore, India

Buchbindung  
Book binding



# Weitere Einsendungen

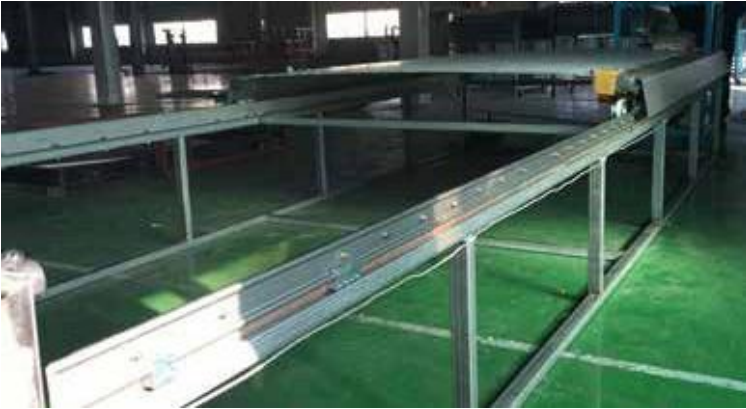


Robertson Machinery Company, Robert Jose, Bangalore, India  
Buchbindung  
Book binding



Aindra Systems Pvt Ltd., Mukesh Malviya, Bangalore, India  
Linearantriebssystem  
Linear drive system

# Further applications



Hanex, Chan Yeon Hwang, Busan, Korea  
E-Mobilität  
E-mobility

Yoosung Envitech, Gun Ryul Yu, Seoul,  
Korea



# Weitere Einsendungen



LOGOMAR, Dominik Ptaszkowski, Tarnów,  
Poland  
Automatisierung  
Automation



# Further applications



# Teilnehmer

2k technologies, Mebin Scaria, hyderabad, India	
3D Laser Mapping, Shaun Stone, Nottingham, Great Britain	321
3D Modular Systems, Rambaud Nicolas, Cergy, France	189
3xD Open Source CNC., Robert Bartz Michał Marciniak, Niechanowo, Poland	
7 Degriz, Vijay Pancholi, Vadodara, India	
A and A Co., Ltd, Medical-Welfare Sales Department, Ono Kazunari, Akikawa, Akiruno-shi, Tokyo, Japan	118
A Tech Automation & Robotics, Santosh Pandey, Faridabad, India	
AAA-MECHANICAL DESiGN EOOD, Aleksandar Vatskichev, Sofia, Bulgaria	76
AARBEE ENGINEERING INDUSTRY, BALAKRISHNAN DURAISAMY, COIMBATORE, India	285
ACTinBlack SARL, Reimer von Essen, Foetz, Luxemburg	186
Adco Print Pack India, Mahesh Yadav, Faridabad, India	
Adient Poland, Radosław Chitruń, Świebodzin, Poland	
Advanced Packaging systems, Linga Reddy Abba, Hyderabad, India	102
AF.UT. S.R.L., GIANFRANCO BIAGIOTTI, CORTONA, Italy	
AFI Groups, Norbert ROLLAND, CHATEAU GONTIER, France	
AGETEC, SEBASTIEN BALDI, TONNEINS, France	
AGITECH, Christoph Gasser, Heimberg, Switzerland	89
Agriffranch S.L., Jose Maria Franch Lozano, Lliria, Spain	311
Arozumos, Juan carlos cintora , lekumberri, Spain	
Aindra Systems Pvt Ltd., Mukesh Malviya, Bangalore, India	
AIS - Bad Düben, Henry Görlitz, Bad Düben, Germany	185
Akademische Fliegergruppe Berlin e.V., Benjamin Kapke, Berlin, Germany	360
Albiral Display Solutions, Jordi Sanchez, Sant Hipolit de Voltrega, Spain	175
Aljaž Ulaga, Aljaž Ulaga, Ljubljana, Slovenia	315
Ambulanz Mobile GmbH & Co. KG, Stephan Hischke, Schönebeck, Germany	215
APICOM AUTOMATION PVT LTD, SARAVANAN P PERUMAL, BANGALORE, India	
Arcelormittal dham processing private ltd, Jeyaraman jeya, vellore, India	
argus sensorsysteme GmbH, Hagen Schindler, Kahla, Germany	322
ARIS Stellantriebe GmbH, Michael Andersen, Troisdorf, Germany	126
AS Industrialservice, Stefano Marra, Verdellino, Italy	

ASH GmbH & Co. KG, Michael Horstmann, Georgsmarienhütte, Germany	249
Assonic Mechatronics GmbH, Dirk Lueg, Radevormwald, Germany	111, 112
Astra Otoparts tbk Divisi Winteq, Guna Guna Andi Pratama, Bogor, Indonesia	
Augustin Produktentwicklung UG (haftungsbeschränkt), Stephan Augustin, München, Germany	153
Austin Foods & Beverages Pvt Ltd, J R Parmar, Vadodara, India	150
Autowrapping Systems, S K Sure, Vadodara, India	
avis Co.,Ltd., Akeo Yoshida, Tokyo Taito-ku Kitaueno, Japan	
AZUB bike s.r.o., Tomáš Gayer, Uherský Brod, Czech Republic	65
B&B studio snc di Basso Giorgio e Sergio, Giorgio Basso, Vicenza, Italy	52
Bahmüller Maschinenbau Präzisionswerkzeuge GmbH, Uwe Kietzmann, Plüderhausen, Germany	238
BAOJI oilfield machinery co., Ltd, Guangliang Xing, Baoji City, China	
Bauer Feinmechanik, Robert Bauer, Geisenfeld, Germany	49
BBC Packaging Systems, Devang Ghaskadvi, Vadodara, India	104, 105
BBK Etikettier& Sondermaschinenbau, Marko Grimm, Beerfelden, Germany	140
Behl GmbH, Jochen Behl, Stadtprozelten, Germany	42
Beijing Materials Handling Research Institute, Li Gang, Beijing City, China	
Bianco sp z oo, Krzysztof Kander, Miłomlyn, Poland	
Bielas Extensibles, Fernando Irujo López, Noain. Pamplona, Spain	155
BIO.MORPH Sp. z o.o., Tomasz Gołaszewski, Warszawa, Poland	219
BITRE di Bonfanti Paolo, Paolo Bonfanti, Casalguidi (Comune di Serravalle Pistoiese), Italy	359
Biuro Doradczo-Uslugowe, Dariusz Romanowski, Piła, Poland	157
BORE AND MORE, Claus Florschütz, Bayreuth, Germany	156
Boson Light / NOVA SANDEC s.c., Piotr Kałyniuk, Nowy Sącz, Poland	266
Bozco Resources, Rob Hilding, Simi Valley, USA	332
Brabender GmbH & Co. KG, Stephan Mühlhausen, Duisburg, Germany	216
Bravo girassol, Ida, Carlos Roberto Silva Pita, Funchal, Portugal	
Brawo R. Biegański, K.Biegańska Sp.J., Robert Biegański, Łódź, Poland	327
Bremer Institut für Messtechnik, Automatisierung und Qualitätswissenschaft, Universität Bremen, Michael Sorg, Bremen, Germany	217

# Teilnehmer

Brno University of Technology, Faculty of Mechanical Engineering, Roman Adámek, Brno, Czech Republic	
Brothers Pharmamach, Dharmesh Gajjar, Ahmedabad, India	
Bürger GmbH & Co KG, Ralf Feudel, Crailsheim, Germany	48
Business and Software Systems, Alan Edwards, Lisburn, Great Britain	299
BWP Skorkiewicz sp.j., Krzysztof Żyliński, Olecko, Poland	
C J Industry, Chetan Patel, Vadodara, India	
Cadetronics , Nilesh Mungekar, Navi Mumbai, India	230
Campus Motorsport Hannover (Projekt Motorsport der Hochschule Hannover), Roman Stöcker, Hannover, Germany	264
Carecos Kosmetik GmbH, Heiko Meier, Kehl, Germany	97
Center of Astrophysics and space Science of Portugal, mahmoud hayati, porto, Portugal	134
CentrostileDesign, Matteo Marchetti Casadio, Mordano, Italy	333
Centrum Techniki Okrętowej S.A., Krzysztof Dobroczyński, Gdańsk, Poland	124
CGM di Corengia Giuseppe, Giueppe Corengia, Mariano Comense, Italy	203
Chennai Metco, Srinivasan M, chennai, India	
Chinese Post Technology Co., Ltd., Zexin Ding, Beijing City, China	163, 301
Chongqing Hongli Zhixin Manufacturing Co., Ltd., Jiang Tang, Chongqing City, China	
Cianetti Srl, Jacopo Cianetti, S.Pier d'Isenzo, Italy	252
CIKONI composites innovation, Farbod Nezami, Stuttgart, Germany	169
Civic Drone, Antoine Praquin, Montesson, France	75
Classic Engineering Industries, Omveer Singh, Jaipur, India	
CLEANTECH SYSTEMS PVT. LTD., VISHAL MANDEKAR, PUNE, India	145
CNG SYSTEM Jacek Rudkowski, Jacek Rudkowski, Kraków, Poland	273
Coautec GmbH, Heike Baumgartner, Zwingenberg, Germany	159
Coffeeday Global Limited, Kumar SB, Bangalore, India	
Colcom Group Spa, Luca Benedetti, Nave (BS), Italy	
COMET, Lorenzo Dal Canale, Santa Maria di Sala, Italy	51
Conductor Lda, Octávio Paiva, Paião -Figueira da Foz, Portugal	95
Constellium Extrusions Decin s.r.o., Roman Farský, Děčín, Czech Republic	
Conti Tech Schlauch GmbH, André Broetsch, Korbach, Germany	366

CONVEYORS Y ACCESORIOS REGION MONTAÑOS S.A. DE C.V., Máximo Roel Gallegos, Guadalupe, Mexico	
Core srl, Giacomo Wilhelm, Delebio, Italy	236
CPC Diagnostics Pvt Ltd, Anil Kumar Yarlagadda, Chennai, India	
Create Medic Co., Ltd, Hisashi Takada or Takata, Okayama-cho, Iwamisawa, Hokkaido, Japan	
Crown Industries, Kiran Kumar Kongara, Hyderabad, India	
Crowther@sons, Daniel Crowther, Lincoln, Great Britain	
Crushforce, Leon Venter, Brakpan, South Africa	166
CSP INTERNATIONAL FASHION GROUP SpA, LUCA ROSSETTI, CERESARA, Italy	59
CV SENTRAL JAYA MECHATRONIC, HERDIANTO AMETRO HERDIANTO, PEKALONGAN, Indonesia	
CZ Strojirna, Petr Tuma, Strakonice, Czech Republic	143
Czech Technical University in Prague, Faculty of Transportation Sciences, Tomas Fila, Prague, Czech Republic	309
DI Logic Ltd., Ivan Kutelov, Kardjali, Bulgaria	224, 227
Dafo Plastics, Łukasz Daniel, Nowy Targ, Poland	
DAGOS Przedsiębiorstwo Wielobranżowe, Andrzej Dzikowski, Częstochowa, Poland	130, 132
Dark Corner Apiary, Mark Sweatman, Landrum, USA	342
Dark Ice Designs, Kristian Kassinen, Calvert, Great Britain	83
DC Design Pvt Ltd, Vikrant Kshirsagar, Pune, India	232
DCMATN, Laurent BOUDON, EPINAY SUR ORGE, France	87
DEAUCOS, Jose Salatino, Capellades, Spain	77
DETEC Industrietechnik, Dirk Emde, Solingen, Germany	303, 310
Diam Service Sp.zo.o., Janusz Ciura, Jaworzno, Poland	
Diezdesign, Daniel Díez Cámara, Valencia, Spain	339
DIGITAL DK Dariusz Kurzawa, Dariusz Kurzawa, Gdynia, Poland	
Dilip Sivaraman, Dilip Sivaraman, Bangalore, India	
DIY research, Viktor Sari, Gödöllő, Hungary	328
DMA, Andrea Ortolano, Torino, Italy	192
Domino Print & Apply, Jerry Karlsson, Malmö, Sweden	168

# Teilnehmer

Dr. Christoph Heßler Maschinensysteme, Christoph Heßler, Lübbecke, Germany	41
DTU Space, René Fléron, Kgs. Lyngby, Denmark	
Due Laser, LUIZ CARLOS PINAGE DE LIMA FILHO PINAGE, FLORIANOPOLIS SC, Brazil	96
DynAccess Ltd, Joachim Grenestedt, Hellertown, Pennsylvania, USA	268
Earth Engineering Co., Prakash Mevada, Ahmedabad, India	
ELECTRIC MOTION, jean forest, Castries, France	302
ELECTRO LAB INGENIEROS S.L., CESAR MENDEZ, TORREJON DE ARDOZ, Spain	
ELEDUS s.r.o., Lukas Bezdicek, Brno, Czech Republic	272
Element Sport / Company representative, Takahashi Kazuyuki, Higashiryoke, Kawaguchi-shi, Saitama-ken, Japan	
Elettrotecnica P.W.C. Snc, Carlo Cipolla, Seregno, Italy	62
Eltron-kabel, Artur Źmuda, Jaworzno, Poland	44
EmpowerMate Systems, Inc, William Shrewsbury, Overland Park, USA	271
Endless Robotics Pvt Ltd, Puneeth Bandikatla, Hyderabad, India	187
Equip UMH, Miguel Angel Oliva i Meyer, Elx, Spain	193
Esteem multi systems, Sundaresan C, Chennai, India	72
Estudi Bel, Arquitectura i Urbanisme SLP I+D, Jaume Bel Homedes, Tortosa, Spain	172
Fabtech Industries, Velmurugan N, Coimbatore, India	
Faros Technologies, Anshul Sharma, Gurgaon, India	
FiaProTeam GmbH (Storch-Ciret Production), Andre Busch,	37, 38
Rodeberg OT Struth, Germany	
FILLPACK, Kantilal Panchal, Thane, India	
Firma „Kocula II“, Kacper Świdorski, Mokronos Dolny, Poland	363
Flexi Efficads Pvt Ltd, Nachiyappan M, Bangalore, India	
FREIDORAS VALENZO, SERGIO SANCHIS, L' ALCUDIA, Spain	70
Freikolben Rieleit, Peter Rieleit, Düsseldorf, Germany	
Frey Riegger Kuentzle Schmiedl GbR / fruitcore, Jens Riegger, Konstanz, Germany	237
FSUPV Team, Pedro González Corchón, Valencia, Spain	280
Füss Mobile GmbH, Frank Oechsner, Bingen-Hitzkofen, Germany	106
Fur Elise Piano Service, James Kelly, Pawleys Island, USA	
G Geum-gang Institute/CleanAirbot, Huang Nam Kim, Gwangju, Korea	354

Gala Precision Engineering Pvt. Ltd., Nirav Makadia, Vasai, India	
galli industry, dario galli, settimo torinese, Italy	78
GATTEGNO, PHILIPPE GRENIER, Saint-Ouen l'Aumône, France	
gebo cermex solution italy, riccardo pagliari, parma, Italy	181
GEMA-Motorsport, Frank Schwetmann, Garbsen, Germany	312
GERUTEC GmbH, Viktor Gaier, Denkingen, Germany	
Gerven Industrietechnik GmbH, Georg Pyttel, Friedberg, Germany	40
Gibellini Camera, Alessandro Gibellini, Sassuolo, Italy	
GIZMOR&D, Shigenori Toyofuku, Sakashita, Kiyomi-cho, Takayama-shi, Gifu-ken, Japan	
Global Smart Project, Nikita Naumov, Balashikha, Russia	
GNS motion , Hee Jun Yang , Busan , Korea	356
Godrej & Boyce Mfg.Co.Ltd, AMit rawat, mohali, India	282
Gostol-gopan d.o.o., Damijan Zavrtanik, Nova Gorica, Slovenia	298
GRUPNOR, LDA, LUIS JORGE VILA PINTO ALVES, VILA DO CONDE, Portugal	347
Grupo Intermarmol S.A. de C.V., José Antonio Núñez, Torreón Coahuila, Mexico	196
Grupo Salazar do Brasil, Thiago Henrique Pereira Thiago, Santo André, Brazil	
GSE Gesellschaft für Soziale Dienstleistung Essen mbH, Michael Boß, Essen, Germany	244
Gsg Metal Srl, Gil Ghiggi, Villa di Chiavenna, Italy	323
Guilin Urit Medical Electronics Co., Ltd., Guiping Gui, Guilin, China	
Guilin Urit Medical Electronics Co., Ltd., Ping Gui, Guilin, China	
Guiyang Potevio Logistics Technology Co., Ltd., Bing Yang, Guiyang, China	
GYD - G Yacht Design, Nicolas Alejandro Goldenberg, Valencia, Spain	161
Ham d.o.o, Tomaž Ham , Ljubljana, Slovenia	180
Hama Zero, Yamawaki Ikkyu, Ariake-Nishimachi, Higashi-ku, Hamamatsu-shi, Shizuoka-ken, Japan	281
Hanex, Chan Yeon Hwang , Busan, Korea	
Henan Ompa industrial robots Ltd., Cheng Ruixing, Zhengzhou, China	25
Hennlich ind.tehnika d.o.o., Ivan Vugrin, Gornji Stupnik, Croatia	
Higuchi Menki Seisaksyo, Higuchi Yoshiaki, Asaka, Koriyama-shi, Fukushima-ken, Japan	284
Hillstrike d.o.o., Simon Javoršek, 1420, Slovenia	47

# Teilnehmer

Hochland Deutschland GmbH, Wolfgang Tipolt, Heimenkirch, Germany	
Hoedori, Dong Jae Park , Changwon, Korea	355
HSG Machine Co., Ltd, Shunde District, Foshan City, Zhi Wen, Foshan City, China	
HSIL (Packaging Product Division) AGI Glaspac, Narahari Suddakanti, Bhongir, India	86
HSNRRacing, Christian Hofer, Tönisvorst, Germany	
HydeXSim, Craig Hyde, Morecambe, Great Britain	
Hydracooling Lda., José Pereira, Guimarães, Portugal	364
HYDRO & BALNEO, Patrice BOURGADE, AUBIERE, France	
Hyper Pro Team, Klemen Bizjak, Postojna, Slovenia	199
HYTECH CR spol.s r.o., Tomáš Kudela, Opava, Czech Republic	290
I-BEDDING S.R.L. - NOTTINBLU', Matteo Emanuele, Lauzacco di Pavia di Udine, Italy	190
IB Design Co.,Ltd., Minoru Makino, Gifu Prefecture Kani Sugekari, Japan	63
IDEES 22, Gilles RAULT, Saint BRANDAN, France	74
igm Ingeniería Mecánica Aplicada, S.L., Pablo Díaz Gómez, Sevilla, Spain	73
Imasen Engineering Corporation, Hirokazu Nagai, 3-1-8 Techno Plaza Kakamigahara Gifu, Japan	243
India Robotics And Automation PVt Ltd., Keshav Javalikar , Pune, India	291
Infinum3D, Tomasz Zwolan, Lublin, Poland	365
Ing. Giampiero Volante, Giampiero Volante, LEGGIUNO, Italy	165
Ing. Jiří Mička, Jiří Mička, Rousínov , Czech Republic	316
Ing. Pavel Dvořák, Pavel Dvořák, Kamýk nad Vltavou, Czech Republic	35
Ing.-Büro G. Kohlbecker, Günter Kohlbecker, Raubling, Germany	45
Ing.-Büro, Paul Wolf, Weingarten, Germany	127
INGENIERIA HERMA S.A. de C.V., Jorge Luis Hernández Mañón, Lerdo, Durango, Mexico	350
Iniziativa Industriali, Claudio Vallivero, Valdengo, Italy	
Innomech Manufacturing Ltd, Wade Lander, Vancouver, Canada	351
INNOVX Parking Solutions Pvt. Ltd., Babu George, Bengaluru, India	338
INOXVRBOVŠEK d.o.o., Zdenko Vrbovšek, Laško, Slovenia	222
Insight Engineering, Balamurugan Ganesan, Chennai, India	
Institut für Werkstoffkunde, Vitali Hecht-Linowitzki, Garbsen, Germany	209
Institute IRNAS Race, Blaz Bratus, Maribor, Slovenia	251



INTERACTIVE CODING EQUIPMENT , Sam Radford, Annesley , Great Britain	206
INTESA S.P.A., FABIO TOMMASI, SALVATERRA DI CASALGRANDE (RE), Italy	28
Investigacion privada, Jorge Cardenas Ostos, San Juan de Aznalfarache, Spain	
IWC PAN Unipress, Piotr Kopeć, Warszawa, Poland	276
Jan Kratochvil, Jan Kratochvil, Havirov, Czech Republic	144
JBG-2 Sp. z o.o., Krzysztof Stubiński, Warszowice, Poland	
Jiangmen iDear Hanyu Electrical Co., Ltd., Jianquan Li, Jiangmen City, China	57
Jiangsu Kunshan Yideng Tonghe Mechanical Technology Co., Ltd, Shuichao Bao, Kunshan City, China	
Jiangsu Rugao high-voltage electrical Co., Shanhua Ma, Nantong City, China	
Jiangxi nat Technology company, Junbo Cui, Jingde Town, China	250
Jinzhou Huaxin Packaging Machinery Factory, Laixing Zhao, Jinzhou City, China	31
Jiří Marján, Jiří Marján, Mladá Boleslav 1, Czech Republic	33
JMBoillat-ing, Jean-Marie Boillat, Fribourg, Switzerland	
JogAlong Stroller LLC, Mike Dresher, Wichita, USA	174
Johannes Franzen GmbH & Co. KG, Johannes Franzen, Mechernich-Holzheim, Germany	68
John Swett High School, Anthony Tammer, Crockett, USA	
José Madueño, José Madueño Rubio, Dos Torres, Spain	
Jose Xavier, Jose Xavier, Porto, Portugal	275
Jost Svetek & co. d.o.o., Matjaž Svetek, Ljubljana, Slovenia	
JRP, Barbara Jerin s.p., Grega Jerin, Zalec, Slovenia	201
Junes Máquinas Ltda, Enrico Grando, Cerquilho, Brazil	269
Kanko Gakuseifuku Co., Ltd, Kazunari Matsunaga, 1 Higashiominami, Yonago-shi, Tottori-ken, Japan	184
Kazbi, Maciej Budzko, Kosakowo, Poland	286
Kelman Art & Design Studio LLC, Asher Kelman, Beverly Hills, USA	346
Kentstrapper Srl, Lorenzo Cantini, Firenze, Italy	92
Kern Musikmechaniker, Gerhard Kern, Kerpen-Buir, Germany	235
KineticLab, Kazuma Nishiuchi, Hayamiya, Nerima-ku, Tokyo, Japan	277
Kitamura Seisakusho Co., Ltd, Daisuke Saito, Ryohkawa, Minami-ku, Niigata-ken, Japan	
Kitepower, Joep Breuer, Delft, Netherland	80

# Teilnehmer

klement engineering, Peter Klement, Neu-Ulm, Germany	125
Klindexs.r.l., Matthias Santarelli, Manoppello Scalo, Italy	
KOCHPac-Systeme GmbH, Pascal Kltschke, Pfalzgrafenweiler, Germany	56
Koike Sanso Kogyo Co., Ltd, Takeshi Yaguchi, 1 Onodai, Midori-ku, Chiba-shi, Japan	
Koike Sanso Kogyo Co., Ltd, Tec.Dep., Design Group, Ishida Tetsuya, Midori-ku, Chiba-shi, Japan	
Koike Sanso Kogyo Co., Ltd., Mechanical Engineering Department, Tsuyoshi Tanowaki, 1 Onodai, Midori-ku, Chiba-shi, Japan	
Kokoro Company Ltd., Department RT, R&D center, Department Group, Hisanori Kanei, Shinmeidai, Hamura-shi, Tokyo, Japan	307
Koło Naukowe Robotyków, Serafin Bachman, Warszawa, Poland	133
Koło Naukowe Robotyków, Wydział Mechaniczny Energetyki i Lotnictwa, Politechnika Warszawska, Tomasz Gołaszewski, Warszawa, Poland	183
KONATIC, Guillaume BATHELET, Brignais, France	94
Konstruktor, Sylwan Chlebowski, Widawa, Poland	
Kowa-Giken, Ozawa Norio, Taishinjima, Fujieda-shi, Shizuoka-ken, Japan	295
Krishna Industries, Mahendra Prajapati, Ahmedabad, India	
Krones AG, Thomas Dalmata, Neutraubling, Germany	39
Küppersbusch GmbH, Klaus Voigt, Velbert, Germany	79
Kunsthochschule für Medien, Alexander Buers, Köln, Germany	260
Kyma Tehnologija d.o.o. , Jure Počkar, Sežana, Slovenia	304
L&K GmbH Stadtilm, Sven Gasterstädt, Stadtilm, Germany	194
Lafosse nv, Benjamin Vandorpe, Wevelgem, Belgium	170
Last 500 inc, Ed Bell, Medford, USA	117
LAUDA DR. R. WOBSEER GMBH & CO. KG, Kris Braun, Lauda-Königshofen, Germany	146
LEB, Luís Brettas, São Paulo, Brazil	137
Leibniz Universität Hannover, Johannes Gaa, Hannover, Germany	319
Liaoning Chunguang Pharmaceutical Equipment Co., Ltd., Hongyuan Sun, Jinzhou City, China	30
Liaoning Chunguang Pharmaceutical Equipment Co., Ltd., Renjiao Wang, Jinzhou City, China	29
LINEA 20 Snc, Osvaldo Vezzoli, Grumello del monte, Italy	

Lo Studio s.r.l, Massimo Bortolotto, Santorso, Italy	114
LOGOMAR, Dominik Ptaszkowski, Tarnów, Poland	
Lohia Corp, Vaibhav Singh, Kanpur nagar, India	
Lophius Biosciences GmbH, Stefan Lang, Batzhausen, Denmark	46
Lord Krishna Pad PRinting, Kanwar singh Yadav, Gurgaon, India	
LSK GmbH, Manfred Lederer, Kirchleugern, Germany	270
LST GmbH, Werner Rainer, Bad Tölz, Germany	258
Luka Zavrtanik, Nova Gorica, Slovenia	
LUMI INDUSTRIES, DAVIDE MARIN, MONTEBELLUNA, Italy	254
Luxscan Technologies, Philippe Lagrue, Foetz, Luxemburg	66
Lycée du Pays de Condé section de BTS CRSA, Pascal RUCIAK, CONDE SUR L'ESCAUT, France	116
M&M Technologies, Venkateswara Rao Tumpala, Hyderabad, India	208
Made In Workshop, Nikola Ivanovic, Johannesburg, South Africa	
mäqädat - Bildung ohne Grenzen e.V., Karsten Fuhst, Giesen, Germany	158
MAFELEC, PATRICE REY, CHIMILIN, France	202
MAGC Goalfino, Jean-Claude PIERREFITTE, VAL THORENS, France	149
Make Magazin, Carsten Meyer, Hannover, Germany	210
Malek Brautech GmbH, Alexander Malek, Velbert, Germany	313
Malvestio S.p.a, Stefano Muzi, Villanova di Campossampiero, Italy	
Manish Enterprises, Chandrashekar kulageri, Bangalore, India	352
Manutec Indústria de Máquinas, Joél Toscan, Nova Prata, Brazil	248
Manutention Quebec, Darryl Wiltzen, Pointe Claire, Canada	
Marcosta Ryszard Starzec, Łukasz Starzec, Tamów, Poland	294
Mariusz Bielec, Mariusz Bielec, Konstancin-Jeziorna, Poland	340
MASCHINENTECHNIK, Jorge Romo, San Nicolas de los Garza, Mexico	195
Matej Kokotec s.p., Matej Kokotec, Ljubljana, Slovenia	308
Mathitech d.o.o., Enrico Merlani, Sezana, Slovenia	147
Matyssek Metalltechnik GmbH, Andreas Klie, Stadtoldendorf, Germany	233
MBB Technology Changzhou Co., Ltd. , Zihua Zhang, Changzhou, China	
Me-plast Kozina d.o.o., Klemen Bizjak, Kozina, Slovenia	198

# Teilnehmer

Meccanica Malavasi srl, Cristian Chieregati, Sermide (MN), Italy	263
MechProject - Wojciech Steindel, Wojciech Steindel, Wierzchosławice, Poland	
medical-robots, Dirk Wenmakers, Dilsen, Belgium	
Mega Design, Joseph Largey, Kersey, USA	135
Mehrtec GmbH, Udo Adriany, Müsch, Germany	61
Meleo, Olivier Valenti, NICE, France	58
Metal Produkt Majewski Marcin, Marcin Majewski, Kielce, Poland	
Metallbau Glandien, Andre Glandien, Bielefeld, Germany	278
Metiba Vertriebs GmbH, Dieter Bartels, Hildesheim, Germany	300
METOB Krzysztof Wójcik, Tomasz Rogalski, Domaślaw, Poland	
Minda, Nikolaus Breitkopf, Petershagen, Germany	
MOBIL TECH s.a.s., Luca Barin, Bovisio Masciago, Italy	
modul tec GmbH, Jens Dienemann, Hückeswagen, Germany	
MOHLER MACHINE WORKS PVT LTD, LUCAS CRUZ, COIMBATORE, India	320
Motion Solutions GmbH, Klaus Gierse, Remscheid, Germany	265
MPLAB Piotr Janica, Piotr Janica, Sulechów, Poland	305
MQB srl, Eugenio Morini, Parma, Italy	131
Mr., Jp Kiledar, ambala cant, India	283
MSV interier s.r.o., Pavol Urbaník, Studénka, Czech Republic	36
Multiserw-Morek, Piotr Pyrek, Brzeźnica, Poland	
NS machine tool, Nirmal singh, Ludhiana, India	108
NICHROME INDIA LTD, AJIT MANDHARE, SHIRWAL, India	242
Nichrome India Ltd, Bajirao Patil, pune, India	
Nichrome India Ltd, Karshid Hajare, Pune, India	293
Nippon-Polystar Co., Ltd, Matsuo Shuhsaku, Ishibeguchi, Konan-shi, Shiga-ken, Japan	
NISHTEK PIPE EQUIPS, ANIL BENERJI KOTTI, HYDERABAD, India	229
Niwa Chuzo Co.,Ltd, Yoji Nakagawa, Gifu Prefecture Seki Nozomikeoka, Japan	67
No company, Malcolm Fleckney, LINCOLN, Great Britain	152
NOA Sp. z o.o., Michał Latacz, Krakow, Poland	334, 336, 341
Nomura Industry Co., Ltd, Kenji Isono, Maezawa, Higashikurume-shi, Tokyo, Japan	138
Nortech Engineering, Ruben Oviedo, Hermosillo, Mexico	136

NOVASPORT s.r.o., Ladislav Říha, Tachov 1, Czech Republic	55
Nowotnik Metallverarbeitung & Toranlagenbau GmbH, Daniel Burkert, Riesa, Germany	289
NYX s.r.l., Nicola Prendin, Brugine, Italy	54
OCEAN INNOVATION SYSTEM, Laurent Tardivon, CLAPIERS, France	20
OpenTransat, Andrej Osusky, Bratislava, Slovenia	24
Optopol Technology, Wojciech Machalski, Zawiercie, Poland	
Orient Engineering Works, Sanjay Kumar, jaipur, India	
Orion Co.,Ltd., Hiroshi Minamikawa, Yokkaichi, Prefecture Mie, Oaza Rokuromi, Japan	
Orplast, Maciej Rzeziński, Gdańsk, Poland	171
ORTOTIKA, s.r.o., Pavel Černý, Praha 5, Czech Republic	231
Oshimajikojiko Co., Ltd, Sumihiro Akimura, 4 Minamihama, Yanai-shi, Yamaguchi-ken, Japan	119
Osoba prywatna, Kamil Niemyjski, Warszawa, Poland	292
Osoba prywatna, Marcin Wilkowski, Sadków, Poland	
Ostrich Mobility Instruments Pvt. Ltd. , Roopesh BS, Bangalore, India	
panicongelados S. A., Luis Lourenço, Monte Redondo - Leiria, Portugal	167
Particular, Marcos Martin Martin, Soto del Real, Spain	162
Particulier en phase de Création d'entreprise, Hugues Brunault, Caissargues, France	279
particulier, René Séverac, GRAULHET, France	
Pathway LLC, David Stroup, Santee, USA	18
PBM3 d.o.o., www.olok.eu, Matija Nabergoj, Ajdovščina, Slovenia	182
Pearl Musical Instrument Co., Ltd., Akihito Takegawa, Yachiyo-shi, Chiba-ken, Japan	
PEBE Interactive, s.r.o., Prokop Bartoníček, Praha 1, Czech Republic	34
Pegazus Boats Sp. z o.o., Jacek Żywalewski, Augustów, Poland	326
Pentaco Automation Pvt Ltd, Sandip Sasane, Pune, India	
Peri Pack, Heiko Grabert, Solingen, Germany	109, 110
PerkinElmer, Ali Aslam, Hopkinton, USA	121
Philips Lighting Electronics Mexico S.A. De. C.V., Mario Tirado, Tijuana, Mexico	
Pico Automation, Dhanasekar R, Coimbatore, India	
Pico Automation, Jayavardhan M, Coimbatore, India	99
PK model s.r.o., Michal Chalupa, Praha, Czech Republic	128

# Teilnehmer

Plastic Components and Modules Poland, Michał Gagol, Sosnowiec, Poland	245
Plot Electronics Przemysław Szymański, Michał Kisiel, Giżycko, Poland	
polimpianti s.r.l, stefano prestinoni , azzate, Italy	
Politechnika Łódzka Instytut Automatyki, Mateusz Kujawiński, Łódź, Poland	349
POLYTECH-MS, Bruno BERNIGAUD, VARENNES SAINT SAUVEUR, France	234
PONTOS, Michel CHENON, SAINT MALO, France	115
PORBISA, RAUL GARCIA SUESCUM, GIRONA, Spain	141
PPHU TURPAK Kurczbuch Jan, Jan Kurczbuch, Perzów, Poland	362
Pragolet, s.r.o., Evzen Thoendel, Mnichovice, Czech Republic	218
predari vetri spa, fabio tellini, curtatone mn, Italy	
Privat, Jens Klepsch, Gera Niebra, Germany	
Privat, Ijubko bozic, hannover, Germany	26
Privat, Robert Kretschmer, Auerbach, Germany	358
Privat, Uwe Pawlowski, Parchim, Germany	154
Private individual, Tony Manson, Marks Tey Colchester, Great Britain	
Private, Niels Schotten, Heerhugowaard, Netherland	60
Priyadharshini The Fabricators, Sekar P, Coimbatore, India	101
Pro-mill s.c., Michał Konicki, Piastów, Poland	164
PRODIGYSEGMENT Unipessoal Lda, Paulo Rodrigues, Matosinhos, Portugal	173
Prometall Soluciones, s.l., Javier Medina García, San Sebastián de los Reyes, Spain	
PROMOTOR SALES SP. Z.O.O., Krzysztof Bujalski, zielona góra, Poland	
Proseal Closures Limited, Satheeshaiah K.B., Bangalore, India	
Protoprint, Pavel Sedláček, Plzen, Czech Republic	
Proyectos y Aplicaciones. SL, Miguel Angel Abon Ramos, Gijon, Spain	81
PT Schott Igar Glass, Panca Purakusuma, Bekasi, Indonesia	
PT. INKA (PERSERO), ANDI ARIF ISYANTO, MADIUN, Indonesia	84, 297
PT. UNGGUL JAYA SEJAHTERA, SUGIJANTO HARTOJO, PEKALONGAN, Indonesia	
PWR Racing Team, Konrad Żołyński, Wrocław, Poland	223
PWS Engineers Pvt. Ltd., Dinesh Sir, Anand, India	151
Qingdao Victall Railway (Group) Co.,Ltd, Xiaofeng Gao, Qingdao City, China	
Quadtel, Pedro Nascimento, Alfena, Portugal	191

Queue Research, Kenneth Steel, Dunedin, Newseeland	
RAC s.r.o., Vladimir Stransky, Decin, Czech Republic	142
RAST Ltd, Iliya Rangelov, Sofia, Bulgaria	226
RENAULT LE MANS, DOMINIQUE BARRIER, LE MANS Cedex 9, France	
REV inside, Florence Rouquart, Saint Martin de Valgalgues, France	88
Rita Pad Printings Systems Limited, Gajender Sharma, Gurgaon, India	
Robertson Machinery Company, Robert Jose, Bangalore, India	
Rois Medical S.L., Ricardo Montoya Conesa, Elche, Spain	306
Rok Testen, Levpa, Slovenia	267
Rollstamp Manufacturing, Magna, David Mathias, HOLLAND LANDING, Canada	205
Rotary Wave S.L., José M <sup>a</sup> Planells Cervera, Torrent, Spain	239
Royes Engineering, Jacek Rojewski, Mosina, Poland	
RP3d, Josh Smith, Weymouth, Great Britain	214
RRJ Engineering Industries Pvt Ltd, RAMAKRISHNA P, HYDERABAD, India	
S P machine, Pushpinder singh, mohali, India	71
S-LAB, LESŁAW BRZECKI, MIRKÓW, Poland	220
Sabancı University, Yusuf Mert Senturk, İstanbul, Turkey	348
Safesolution srl - Startup INNOVATIVA, Filippo Gigliotti, Verderio, Italy	261
Sakurai Ltd, Parts Department, Nakamura Hayato, Nittaku-Hosoemachi, Hamamatsu-shi, Shi- zuoka-ken, Japan	
SANGSIN BRAKE INDIA PVT LTD, BABU RAJENDRAN, THIRUVALLUR, TAMILNADU, India	
Sapphire Autotech, Mayank Khanna, Gurgaon, India	
SAS EST Modèles, Yves MARLY, POMMEUSE, France	324
Sasyaka Engineering Services Pvt Ltd, Franklyn Paily, Bangalore, India	207
Schmale Maschinenbau GmbH, Jörg Kiesow, Altena, Germany	176
Schuhriemen Maschinenbau GmbH, Hans-Julius Schuhriemen, Sommerloch, Germany	139
Schweyher Engineering, Holger Schweyher, Bönningheim, Germany	287
Scope mounted electronics, George Breiwa, Deforest, USA	
Seascape d.o.o., Kristian Hajnsek, Ljubljana, Slovenia	314
SELCA, Nicolas LAUNEY, BEAUMONT HAGUE, France	
SELCT PACKAGING MACHINERY PVT. LTD., NARENDRA TADVI, VADODARA, India	123

# Teilnehmer

SENER Sp. z o.o, Andrzej Wolski, Warszawa, Poland	211
SENSE, Irineu Paiva Paiva, Curitiba, Brazil	255
Sentier S.r.l, Andrea Signoretto, Rovereto, Italy	335
SGS - Serrurerie Générale de Surveilliers, VANDENBERGHE Eric, SAINT WITZ, France	50
Shenzhen Kenaisi Automation Engineering CO., Ltd., Xueli Zhang, Shenzhen City, China	
Shenzhen YHLO Biotech Co., Ltd., Guodong Lin, Shenzhen, China	
Shimon Reinich Engineering LTD, Idan Hazan, haifa, Israel	82
SHREEJI PHARMATECH, MITESH NAYAKPARA, AHMEDABAD, India	
Signode India Limited, Ashish Range, Medak District, India	228
Sinterit sp. z o.o., Michał Grzymała-Moszczyński, Kraków, Poland	329
Sinus Industries GmbH, Pierre Braun, Berlin, Germany	225
Siprem International spa, Roberto Marcheggiani, Pesaro, Italy	188
Softeca SA, Raphaël Ceccucci, Marin, Switzerland	296
soluzioni tecnologiche per impianti carburante ing.Volpi Roberto, Dario Valiante, Formia, Italy	90
SP Automation & Packaging Machine, Suresh R, Coimbatore, India	
SP Manufacturas S de RL de CV, armando dominguez Todd, apodaca N.L., Mexico	
Spark Line, Girish Sortur, Hubli, India	
Spinks Impex, Bharat Jain, Baddi, India	91
SPMConsultant, Jay Pancholi, Vadodara, India	
SRC, Roberto Cicuéndez Peñalver, Pedro Muñoz, Spain	204
ST-Systemtronic S.A., Fernando Gil Guanter, Rafelbuñol, Spain	
Stadtmüller, Johannes Stadtmüller, 63837, Germany	246
Starkmat, s.p. / Active Chair, Sebastjan Štarkel, Črnomelj, Slovenia	274
START-UP, Maja Rajterič, Ljubljana, Slovenia	27
STERIFAST - Sterilization and Disinfection Systems, Lda , Hélder Gonçalves, Boticas, Portugal	262
Stimmt Automation, Logesh T, Chennai , India	
StuAtech, Michael Monetti, Linz, Austria	256
Student Unique Card India Pvt Ltd, Anil Kumar Borugadda, Hyderabad, India	241
Studio Poletti, Gianpaolo Poletti, Pantigliate, Italy	
Stylgame srl, Paolo Cencigh, Spilimbergo, Italy	



SUNDRAM FASTENERS LTD, ANANTHAKRISHNAN MURUGAN, CHENNAI, India	
Sunrise Pappad, Daneesh Pandayil, Madurai, India	197
SUSI INDUSTRIESS, SHIVASWAME VELLINGIRI, COIMBATORE, India	
Suzhou Pairs Kee Automation Equipment Co., Ltd., Shuai Ren, Pingan Road, Wuzhong District, Suzhou City, China	
Sweta Mechanical Works Pvt Ltd , Subhash Gupta, Umbergaon, India	
Szymon Ruban, Szymon Ruban, Warszawa, Poland	148
TABLET IN BED, Carlos García, Betanzos, Spain	69
tall turbine, brandon everhart, lexington, USA	
TB Ing. Richard Knabl, Richard Knabl, Wörgl, Austria	43
TE.S.I. srl, Daniele Marian, Ravenna, Italy	53
Team DIANA - Politecnico di Torino, Daniel Lippi, Torino, Italy	318
Team H2politO, Michele Galfrè, Torino, Italy	103
Technical University of Košice, Faculty of Mechanical Engineering, Jozef Svetlík, Košice, Slovenia	85
Technimet, Michał Steblecki, Kalisz, Poland	93
Technofour Electronics Pvt Ltd, Ganesh Patil, Pune, India	
Technofour Electronics Pvt. Ltd, Ashwamedh Kulkarni, pune, India	
TECNOMOLDE AUXILIAR DEL CALZADO, S.L.U., Jorge Vilaplana, Elda, Spain	
TejControl Systems Pvt Ltd, Rajesh Kumar, Thane, India	
Tereos, Joël PRUVOST, Origny Sainte Benoîte, France	113
TEYCO SRL, MARCO ZAPPELLA, COLOGNO AL SERIO (BG), Italy	178
The Filter Design Company, David Carter, Haydock, Great Britain	177
The keepers , François Jaubert , boulogne-billancourt , France	289
The Opportunity Factory, Jurgen Denul, Oostkamp, Belgium	317
THT Co., Ltd, Hishiyama Takao, Takakura-machi, Hachiohzi-shi, Tokyo, Japan	129
Tiger Engineering Co., Ltd, Planning, Hidekazu Omori, Noda, Kita-ku, Okayama-shi, Japan	213
TK Innovation, Jan Ledin, KÖPMANHOLMEN, Sweden	
TKM Projekt sp z o.o., Mateusz Szewc, Wrocław, Poland	337
TL quadrat, Tobias Lenz, Nümbrecht, Germany	353
Tonkel Om handmades, Thomas Schwaiger, Viehhausen, Austria	253

# Teilnehmer

TRANSMECH INDUSTRY, JAY SHAH, Vadodara, India	
TRAXelektronik, Daniel Setlik, Kraków, Poland	361
TRESCOM sp. j. Andrzej Sirko i wspólnicy, Andrzej Sirko, Białystok, Poland	
TSA CENTER / ADRONELINE (2 compañías), Iván Sanz Martínez, Cerdanyola del Valles, Spain	221
Tsuboi Tokusyu Shatai Co., Ltd / Design technology, Yamashita Toshihiko, Koyashiki, Yaizu-shi, Shizuoka-ken, Japan	122
Turan, Jean Nius, IJmuiden, Netherland	
TYEN Supercharger technology center, Yuanwei Li, Hunan Hengyang, China	
UB-SPACE, Maren Hülsmann, Bremen, Germany	22
unicent GmbH, simon weber, unterseen, Switzerland	344
University of Bristol, Robert Malkin, Bristol, Great Britain	257
University of Ljubljana, Faculty of Electrical Engineering, Janez Podobnik, Ljubljana, Slovenia	325
University of Seville (Spain) - Robotics, Vision and Control Group, Alejandro Suarez, Sevilla, Spain	120
URSUS S. A., Rafał Słomka, Lublin, Poland	160
Valter Udovičič s.p., Valter Udovičič, Radomlje, Slovenia	357
Van ,n Bike BVBA, René Verelst, Zoersel, Belgium	240
VEC Chocolate Machines Pvt. Ltd, Rajinikanth Patange, Hyderabad, India	
Velocity LLC, for Jackson Kayak product, Terry Gilbert, Greensboro, USA	107
VEOLIA , MARC JOFFRE, la garde, France	320
Virtual Reality Media, Juraj Géci, Trenčín, Slovenia	
Vivero One Research, LLC, Arthur Quaid, Hollywood, FL, USA	343
VTE VOLTRI TERMINAL EUROPA , MASSIMILIANO TAMAI, GENOVA, Italy	
waterblade GmbH, Martin Frei, Roggwil, Switzerland	
WATTEVER, Patrick HENGL, SAINT JEAN, France	98
WeiMi GmbH, Christian Weisbecker, Nidderau, Germany	
Wimed Sp. z o.o., Jarosław Nowak, Tuchów, Poland	100
Worcester Polytechnic Institute, Christopher Nycz, Worcester, USA	330
XJ Schindler (Xuchang) Elevator Co., Ltd., Xiaonan Wang, Xuchang, China	
XS Maintenance, Xavier SEARA, SAINT VALBERT, France	212

Xugong Fire Safety Equipment Co., Ltd., Guanghui Wang, Xuzhou City, China	247
XUJI Electrical Manufacturing Centre, Chunyang Fang, Xuchang, China	
XUJI Electrical Manufacturing Centre, Haihang Wu, Xuchang, China	
XuZhou Construction Machinery Group, Xuguang Zhang, Xuzhou City, Jiangsu Province, China	
Yamanashi Bind Co., Ltd., Masatoshi Wakatsuki, Yamanashi Präfektur Yamanashi Shimokanogawa, Japan	
Yonago Nishinihon Co Ltd. Produktion Technique, Akihiko Gondai, Präfektur Tottori Saihaku Bezirk Süd-cho, Aga, Japan	64
Yoosung Envitech, Gun Ryul Yu, Seoul, Korea	
YUASA SYSTEM Co., Ltd. Engineering Section, R&D Technology Gr, Naotsugu Ando, Kibitsu, Kita-ku, Okayama-shi, Japan	
YuChen automation mechanical and electronic Enterprises Ltd., Yiru Chen, Taichung City, Taiwan	
Z-Bot LLC, Bob Yellin, Austin, USA	259
Zakład Badawczo Rozwojowy AGRO, Dominik Linka, Kościan, Poland	345
ZDT TOP Poręba Spółka z o.o. Sp. k., Łukasz Tondos, Poręba, Poland	179
Zhengzhou Hongrun Electrical and Mechanical Technology Co., Ltd., XiaoDong Chen, Zhengzhou City, China	200
Zhengzhou Lichuang Equipment Co., Ltd., Zhiqiang Ren, Zhengzhou City, China	32
Zhongshan Zhanxinghua hardware products Co., Ltd., Yao Liang Liang, Zhongshan City, China	
Zhuzhou Times New Material Technology Co., Ltd., Quanbing Wang, Zhuzhou, China	











manus® Koordinationsbüro  
c/o igus® GmbH  
Postfach 90 61 23  
51127 Köln

manus® coordination offi  
c/o igus® GmbH  
Postfach 90 61 23  
51127 Cologne

Tel.: +49 2203 9649 -7276  
Fax: +49 2203 9649 -631  
[www.manus-wettbewerb.de](http://www.manus-wettbewerb.de)  
[www.manus-award.com](http://www.manus-award.com)  
[manus@igus.de](mailto:manus@igus.de)

Die Begriffe „igus“, „e-ketten“, „e-kettensysteme“, „e-chain“, „e-chainsystems“, „energy chain“, „energy chain system“, „readychain“, „readycable“, „chainflex“, „easy chain“, „triflex“, „twisterchain“, „flizz“, „vector“, „pikchain“, „CFRIP“, „iglidur“, „igubal“, „drylin“, „dryspin“, „xiros“, „xirodu“, „manus“, „roboLink“, „speedigus“, „dry-tech“, „motion plastics“ und „plastics for longer life“ sind in der Bundesrepublik Deutschland und gegebenenfalls international markenrechtlich geschützt.

The terms „igus“, „e-ketten“, „e-kettensysteme“, „e-chain“, „e-chainsystems“, „energy chain“, „energy chain system“, „ready-chain“, „readycable“, „chainflex“, „easy chain“, „triflex“, „twisterchain“, „flizz“, „vector“, „pikchain“, „CFRIP“, „iglidur“, „igubal“, „drylin“, „dryspin“, „xiros“, „xirodu“, „manus“, „roboLink“, „speedigus“, „dry-tech“, „motion plastics“ and „plastics for longer life“ are legally protected trademarks for igus® GmbH/Cologne in the Federal Republic of Germany and, where applicable, in some other countries.